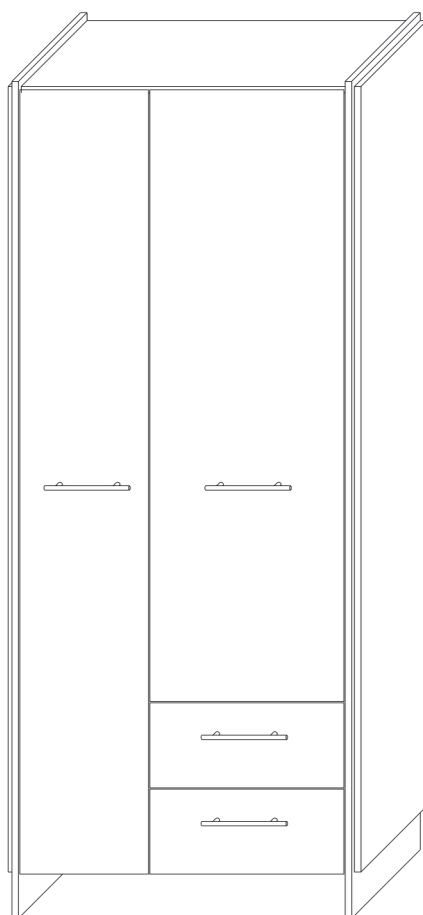
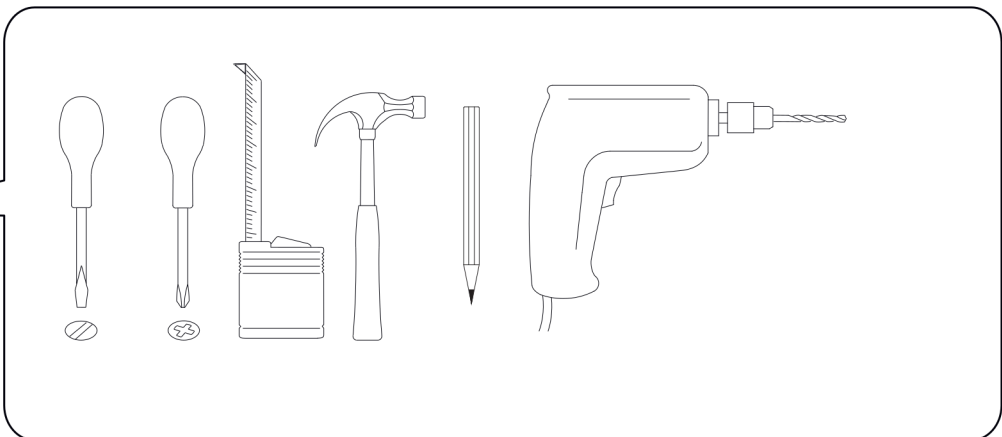
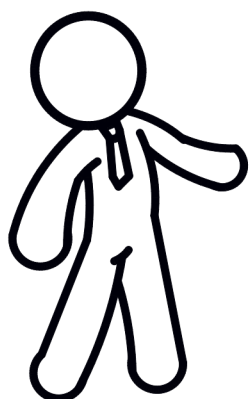
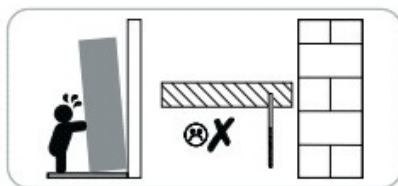
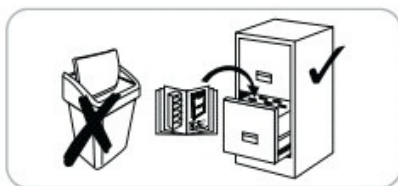
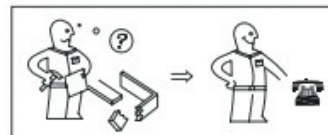
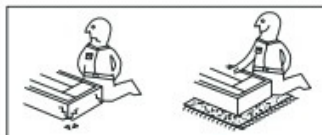
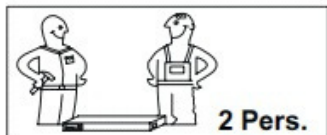

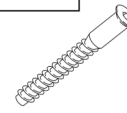
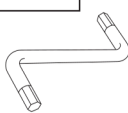
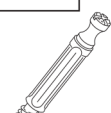


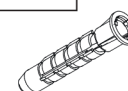
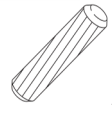

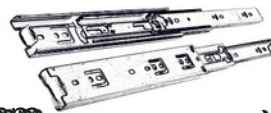


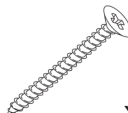
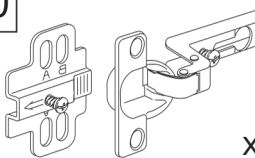
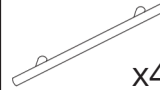


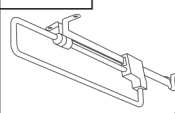

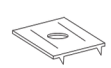



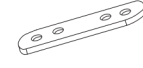


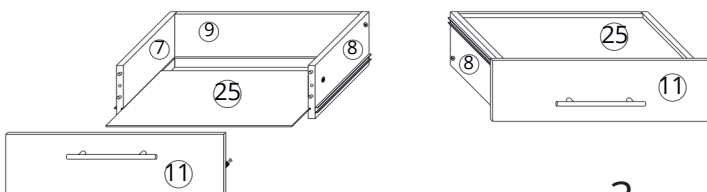
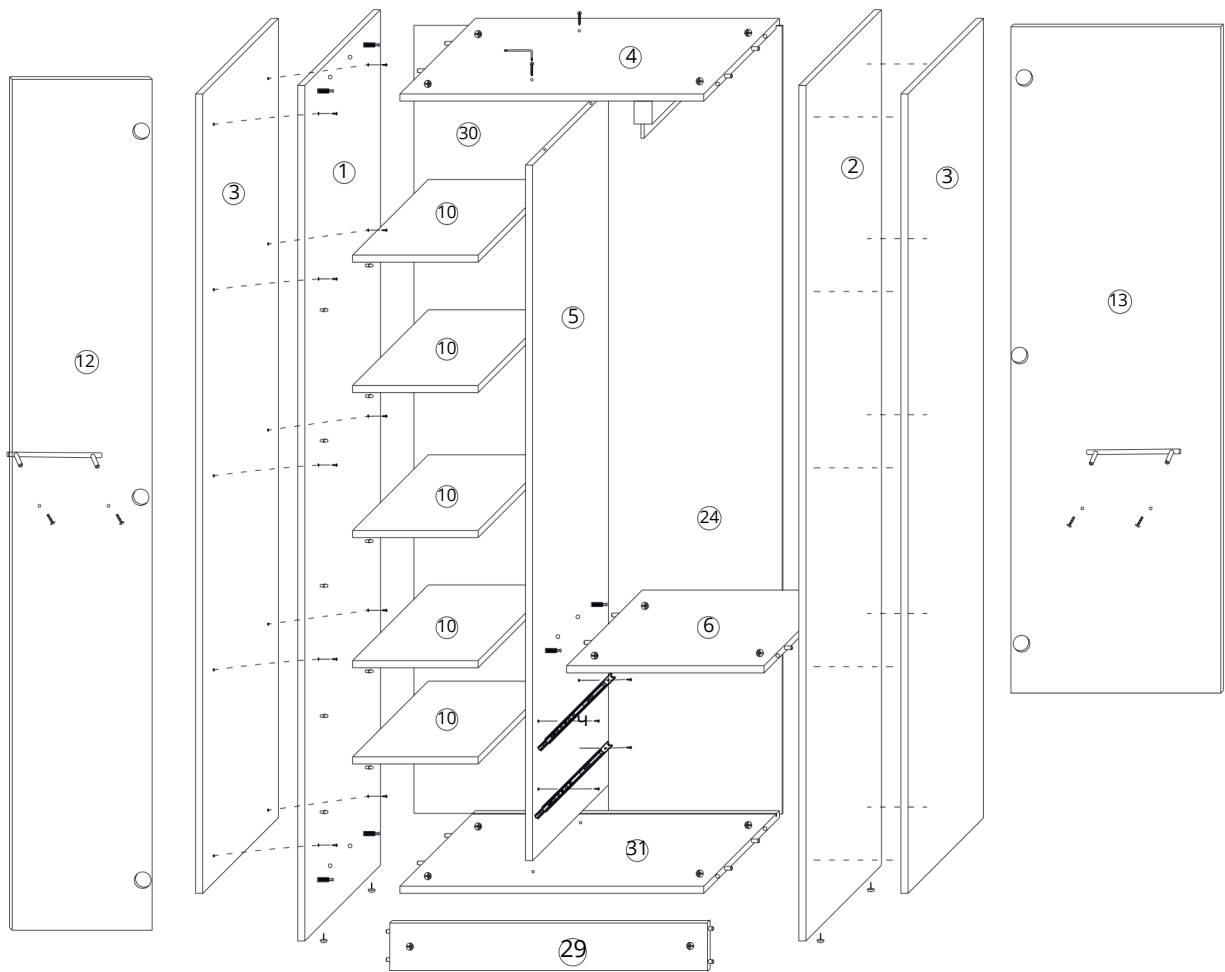
# AMINO szafa 2D2S/45



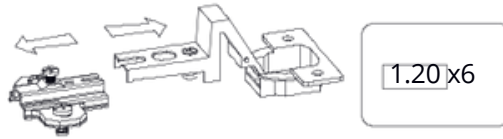
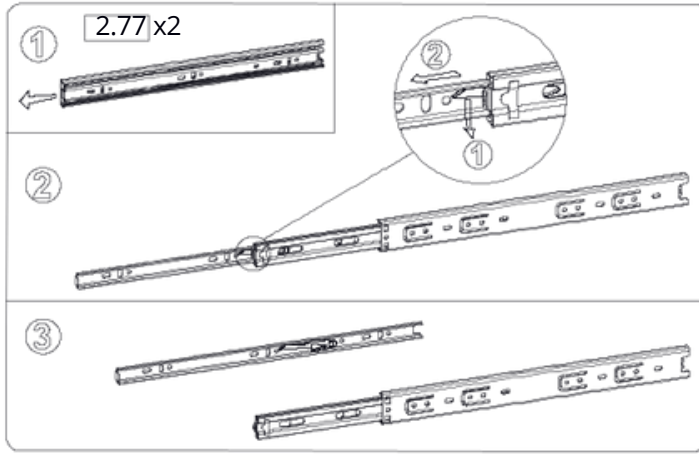


Packet	No	Lenght	Width	Qty
No1	4	750**	428	1
	31	750**	428	1
	6	442*	408	1
	7	400*	113	2
	8	400*	113	2
	9	386*	113	2
	10	293*	398	5
No2	3	1803**	428**	2
	5	1773*	408	1
	12	292**	1800**	1
	29	750	100	1
No3	1	1921**	446*	1
	2	1921**	446*	1
	13	442**	1402**	1
	11	442**	196**	2
	24	1783	454/3	1
	25	395	395/3	2
	30	1783	305/3	1

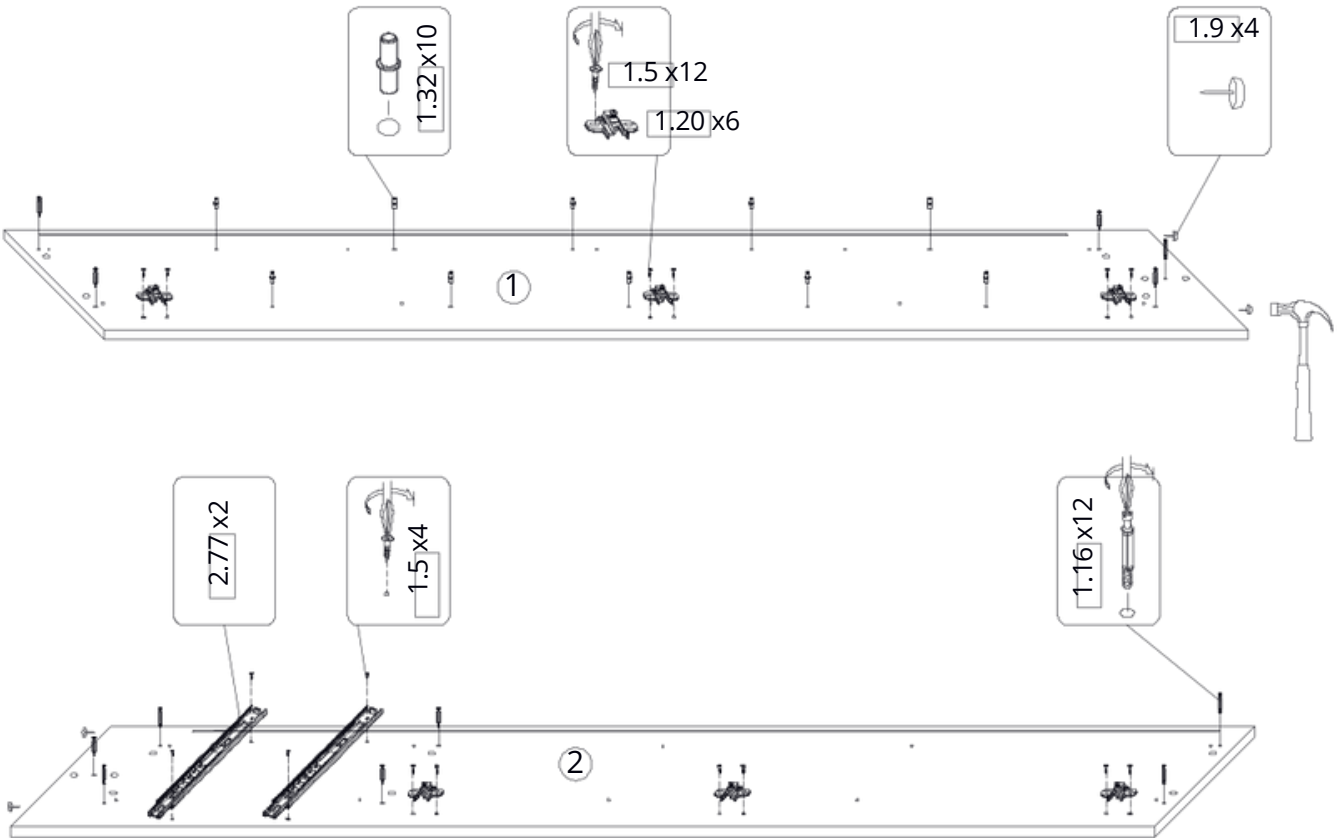
1.47 4x25mm  x21	1.7  x13	1.6  x1	1.16  x19	1.17  x19	1.30 wood color  x17	1.36 8x40mm  x2
1.14  x25	1.32  x21	2.77 400mm  x2		1.5 3,5x16mm  x84	2.68 black color  x2	1.33 4x50mm  x2
1.20  x6	1.59  x4	1.2  x8	1.9  x5	1.23 400mm  x1		
2.69 5x12mm  x21	2.61  x14	1.85 black color  x21	2.02  x22	1.49 3,5x30mm  x2	1.58 60mm  x2	



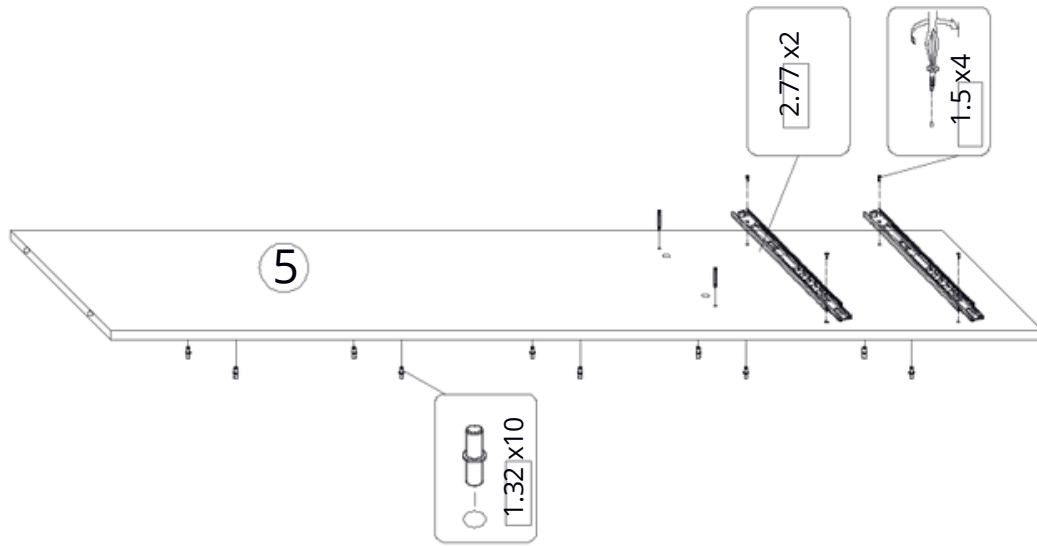
# 1



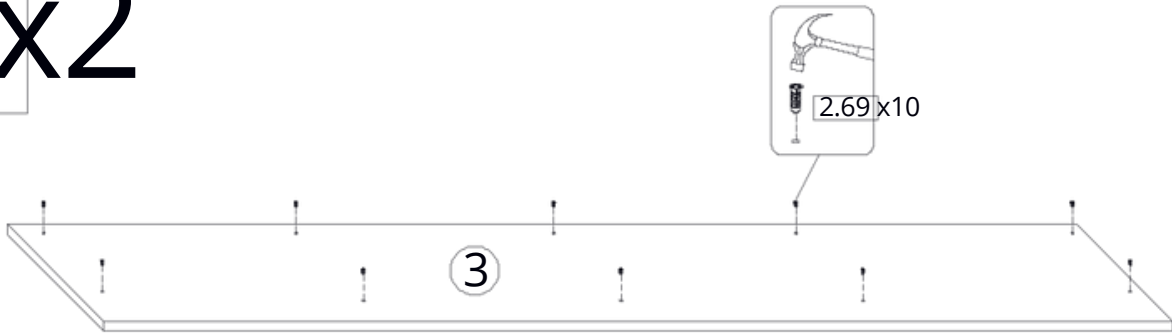
# 2



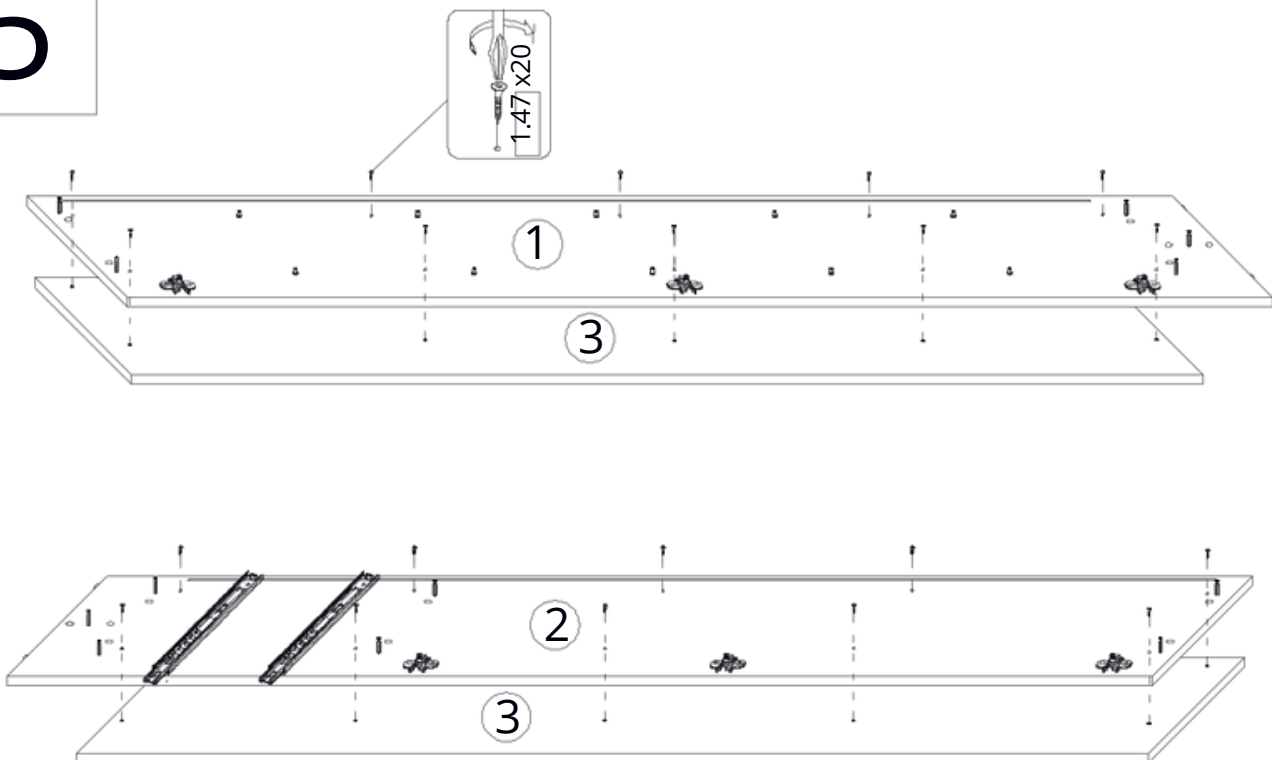
# 3



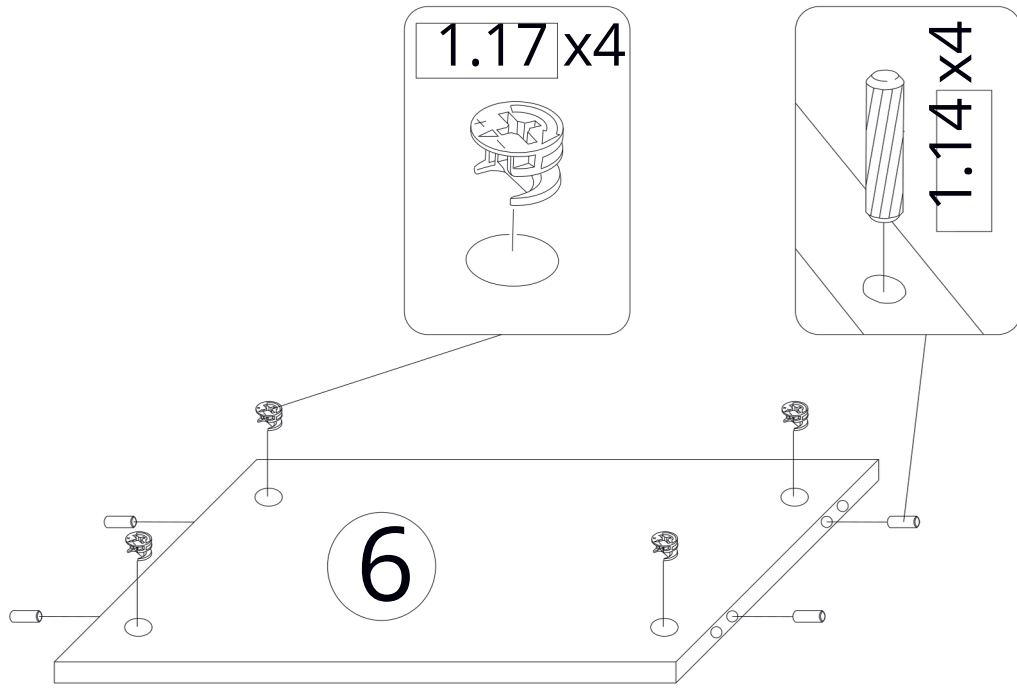
# 4x2



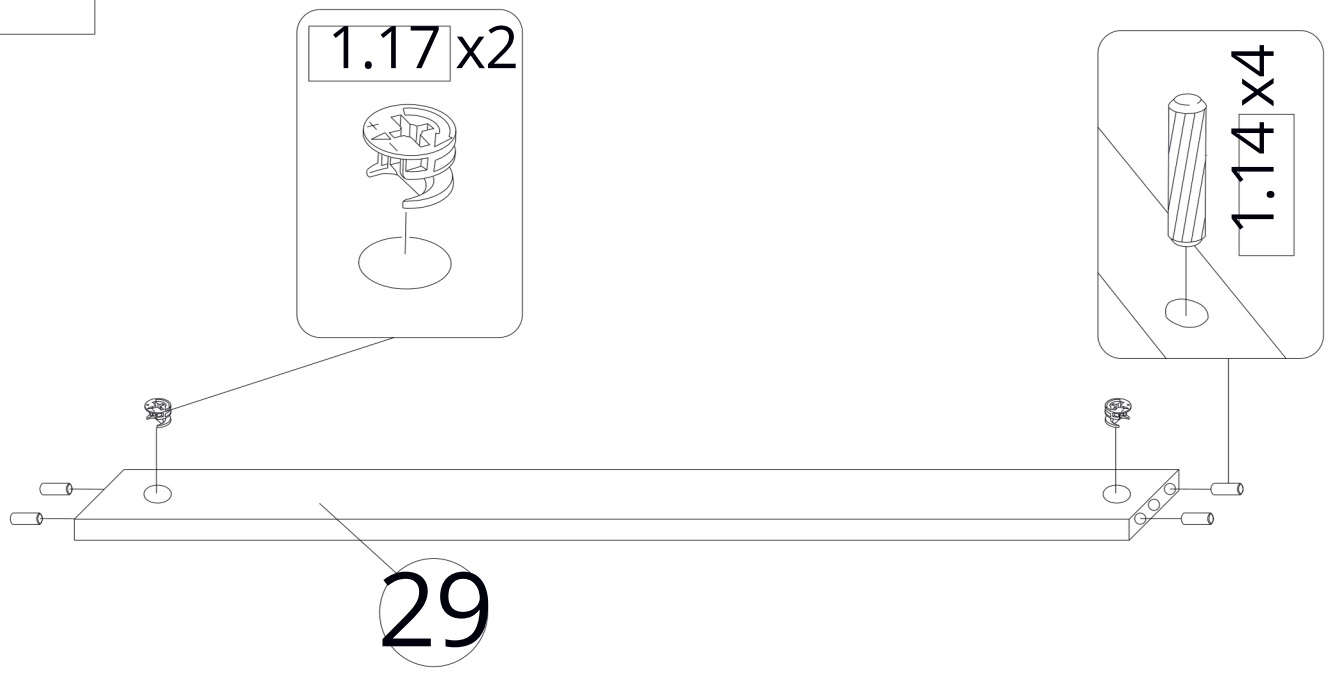
# 5



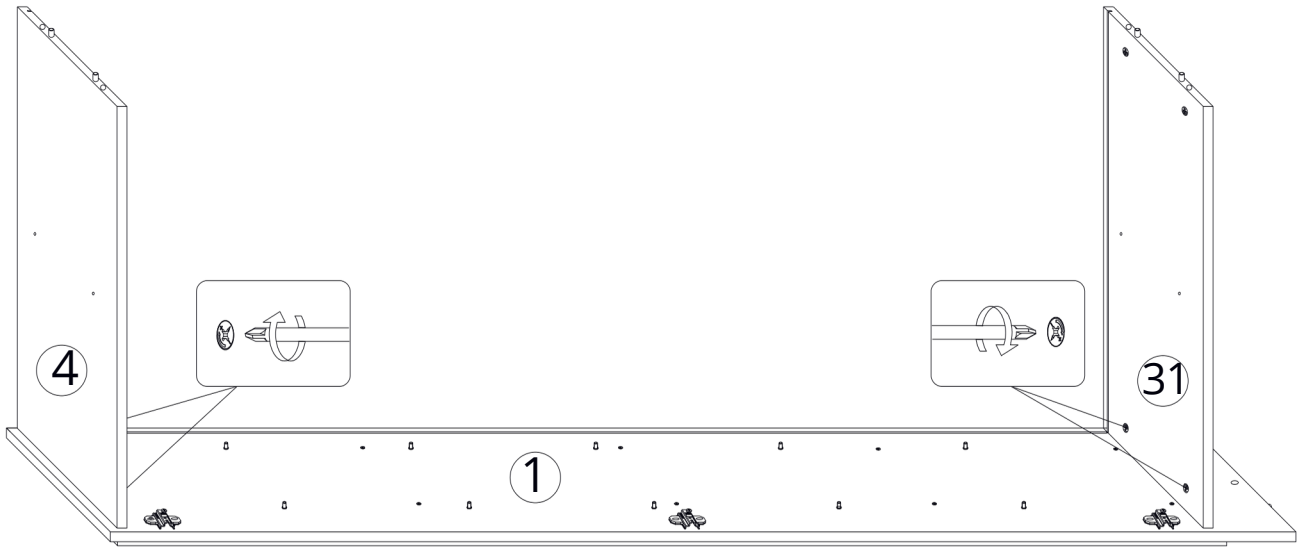
6



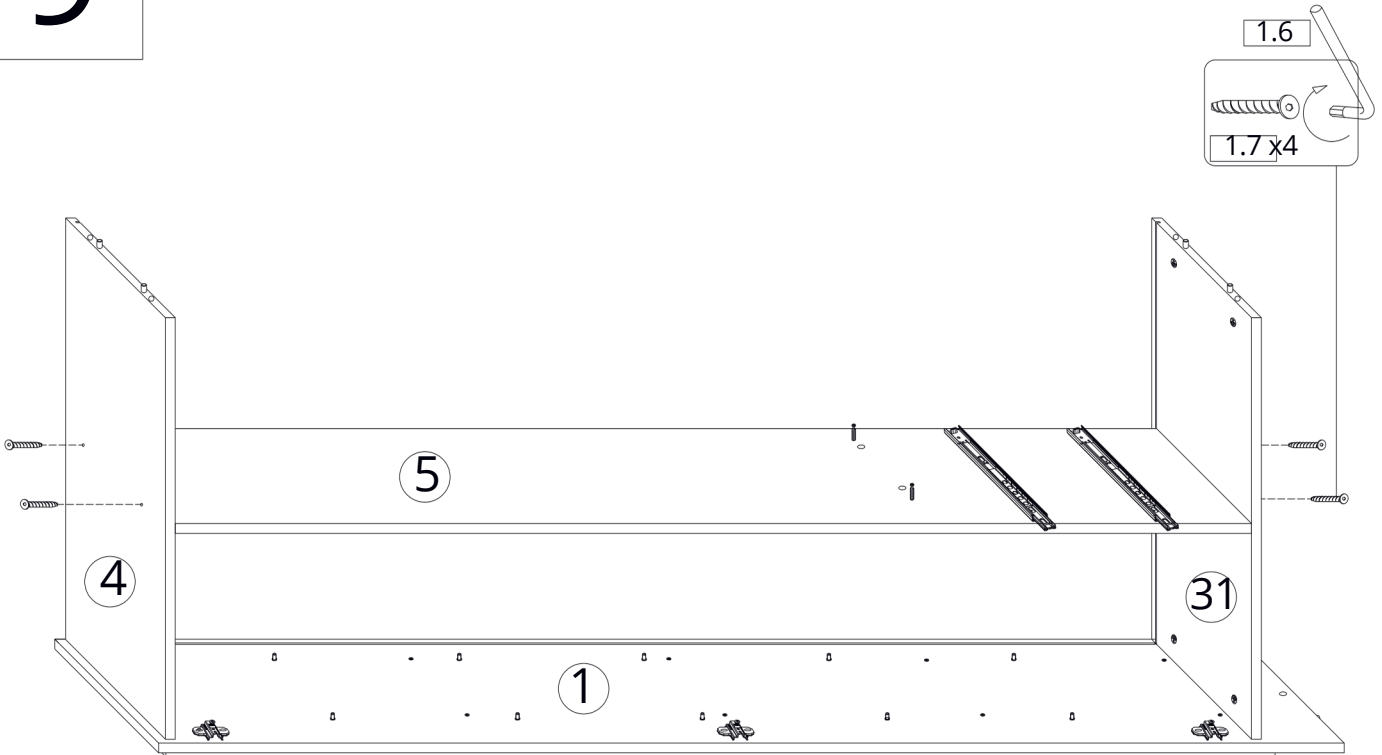
7



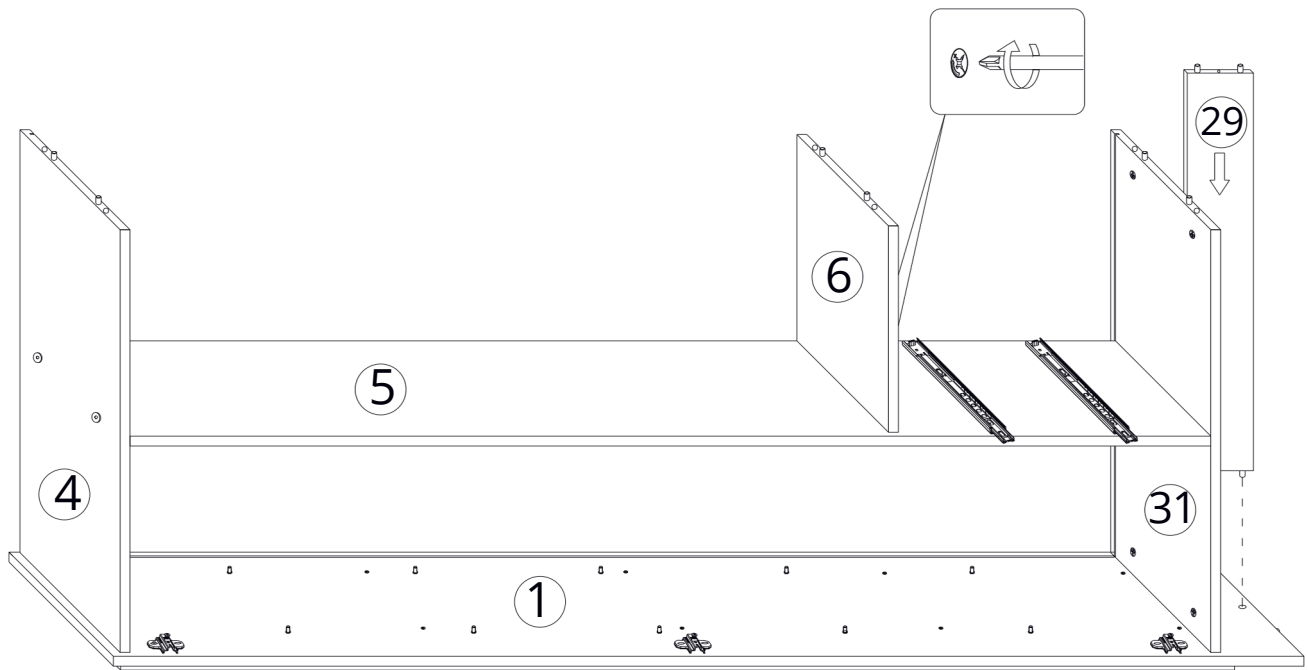
8



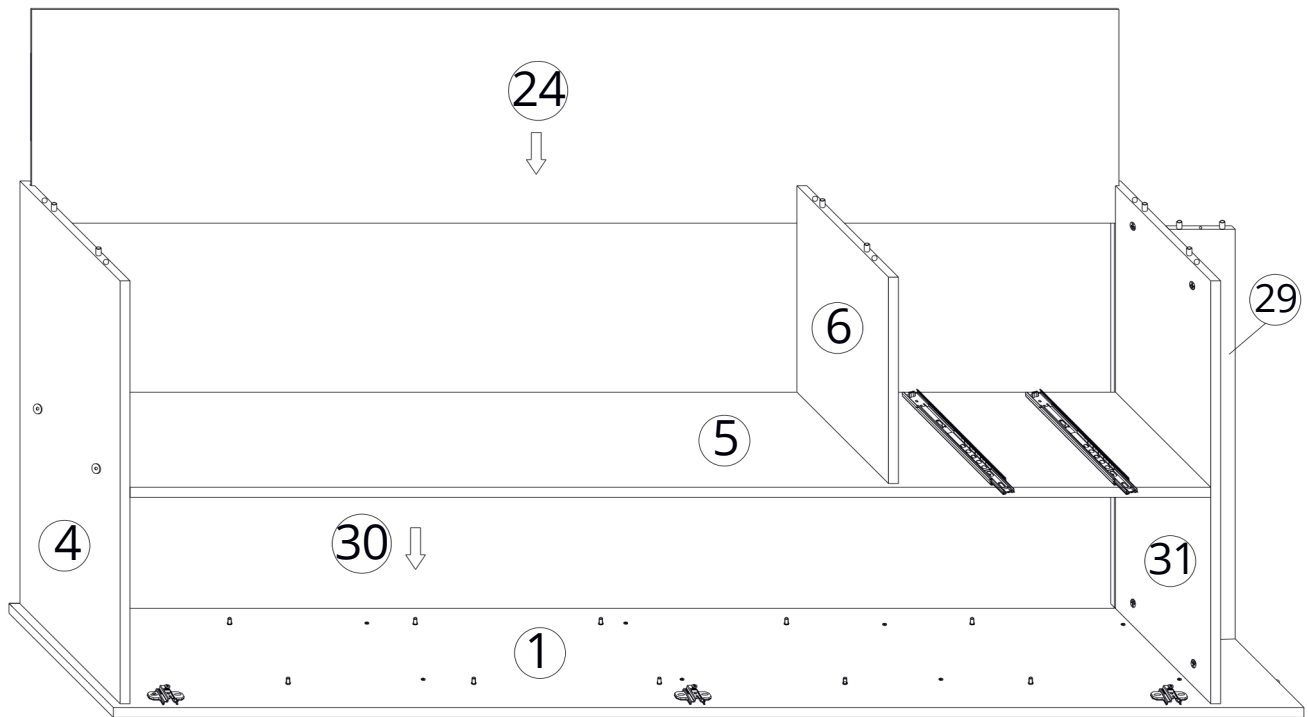
9



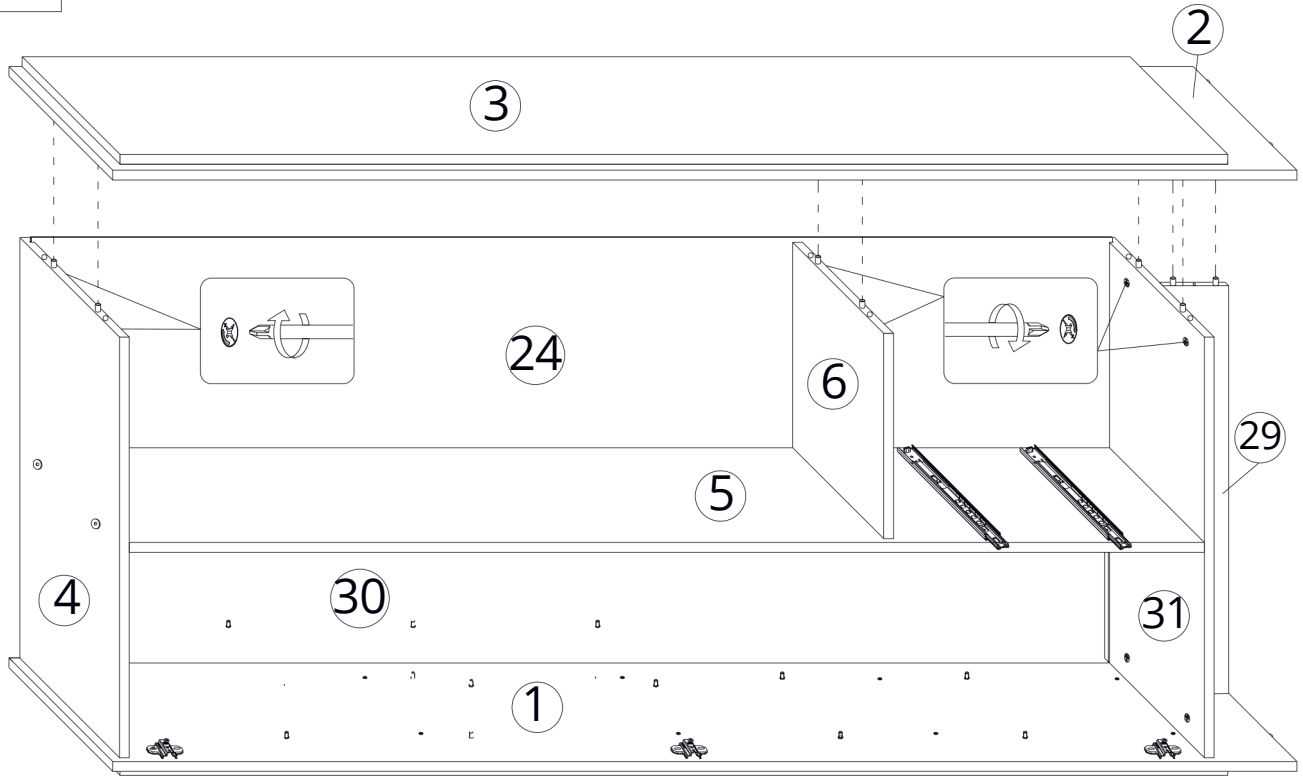
# 10



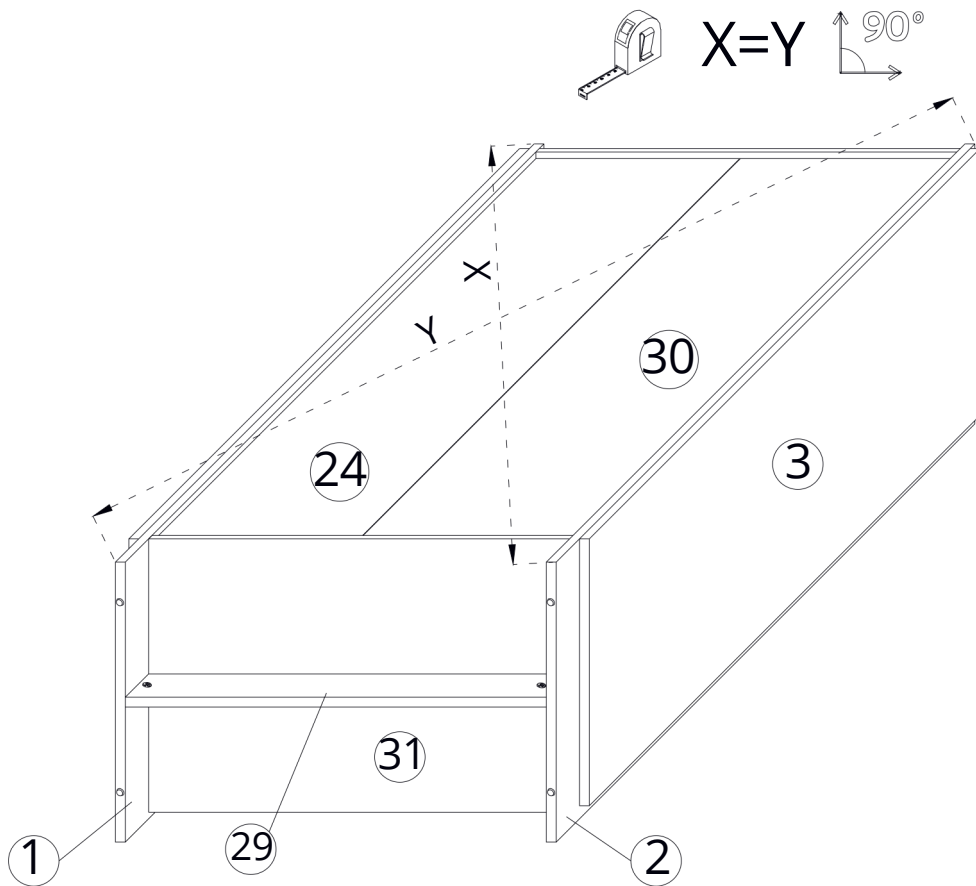
# 11

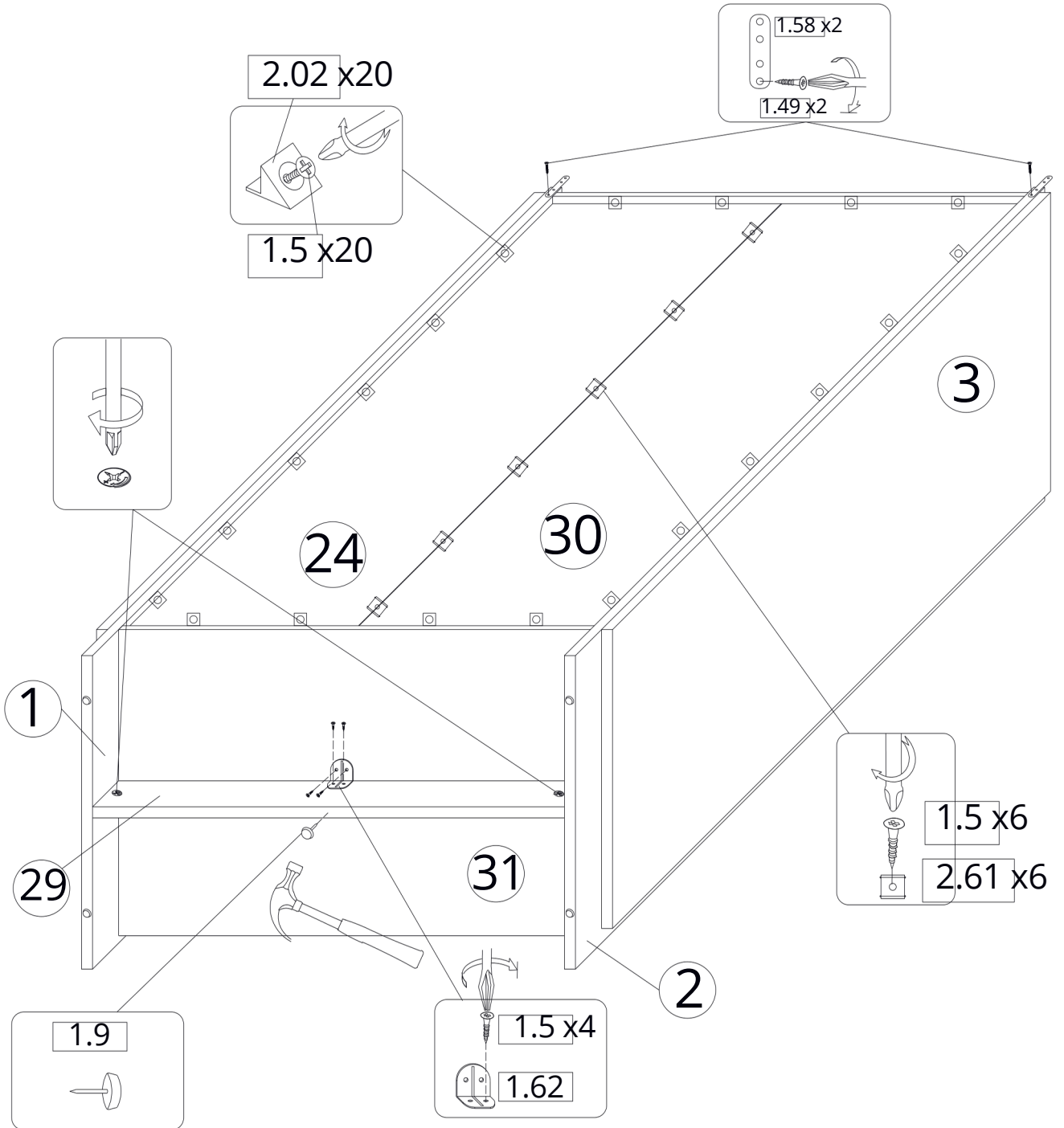
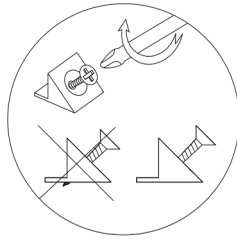


# 12

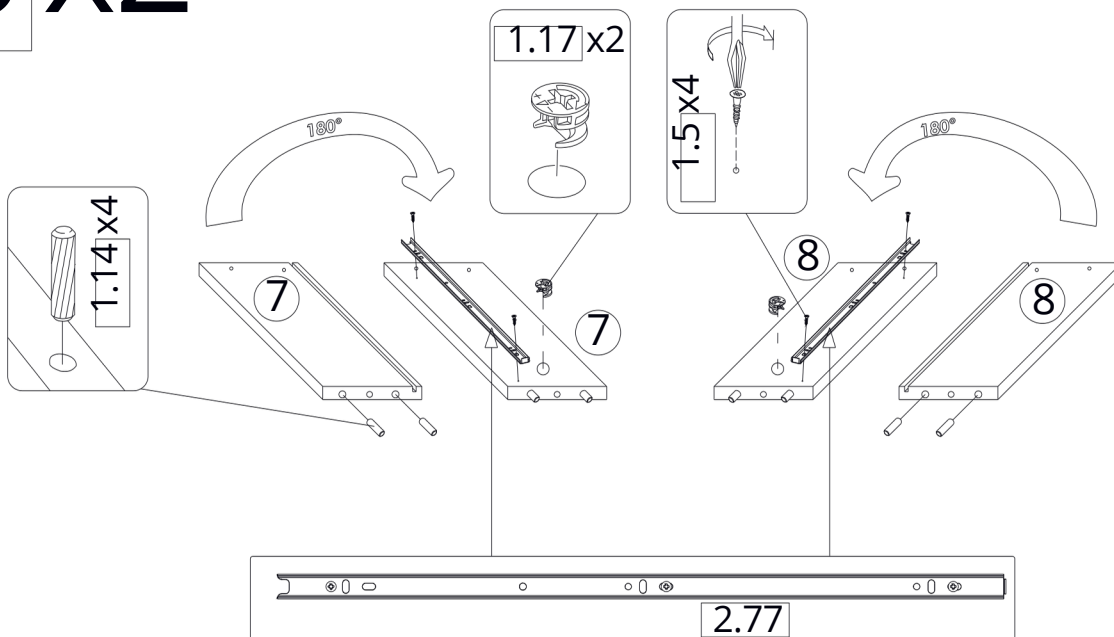


# 13

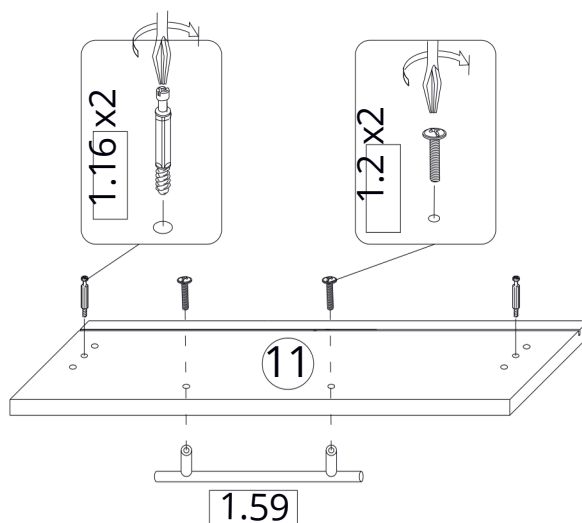




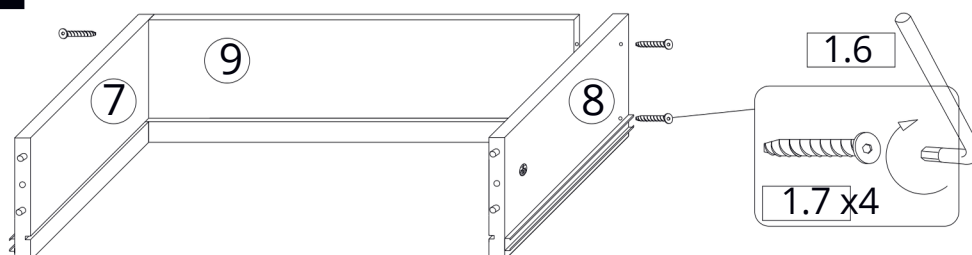
# 15 x2



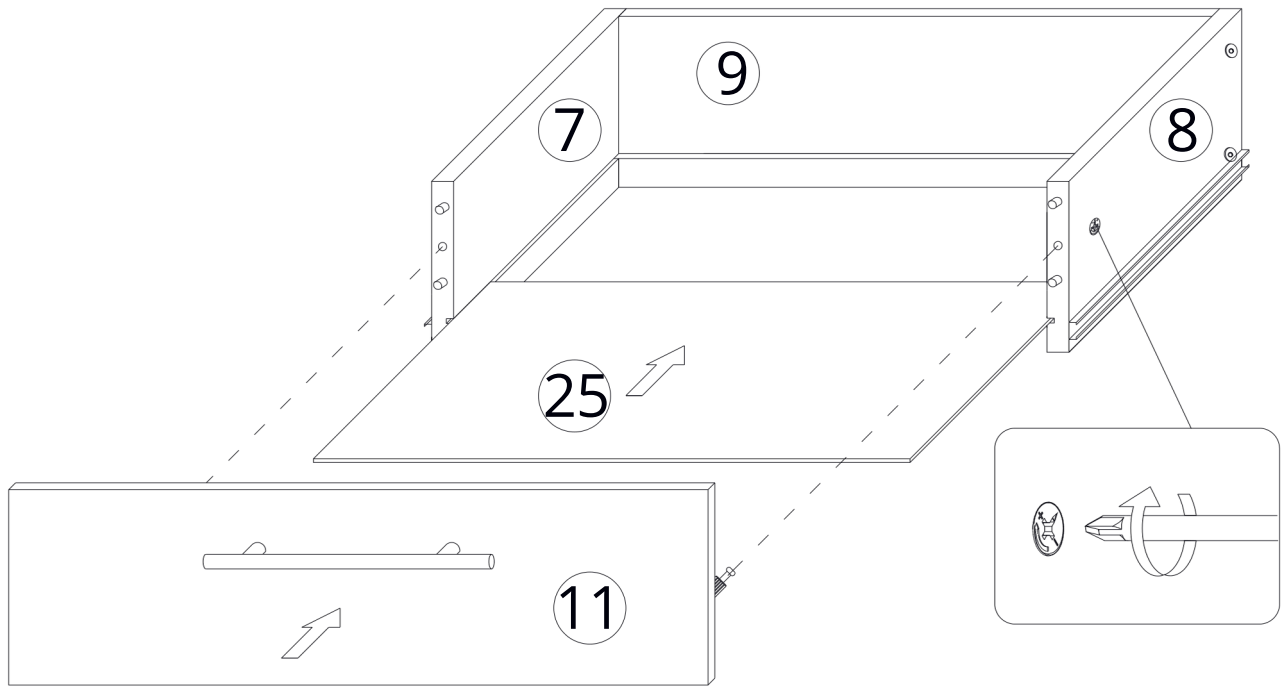
# 16 x2



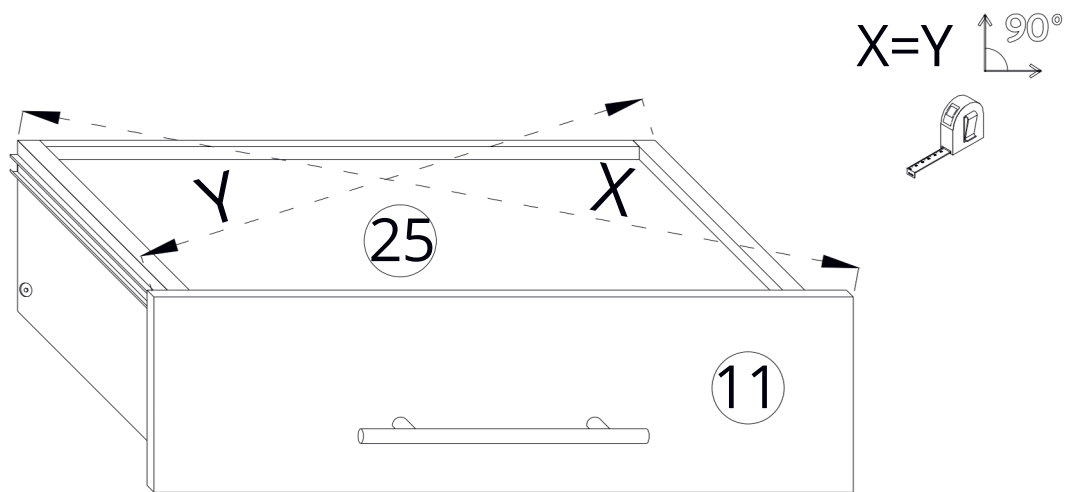
# 17 x2



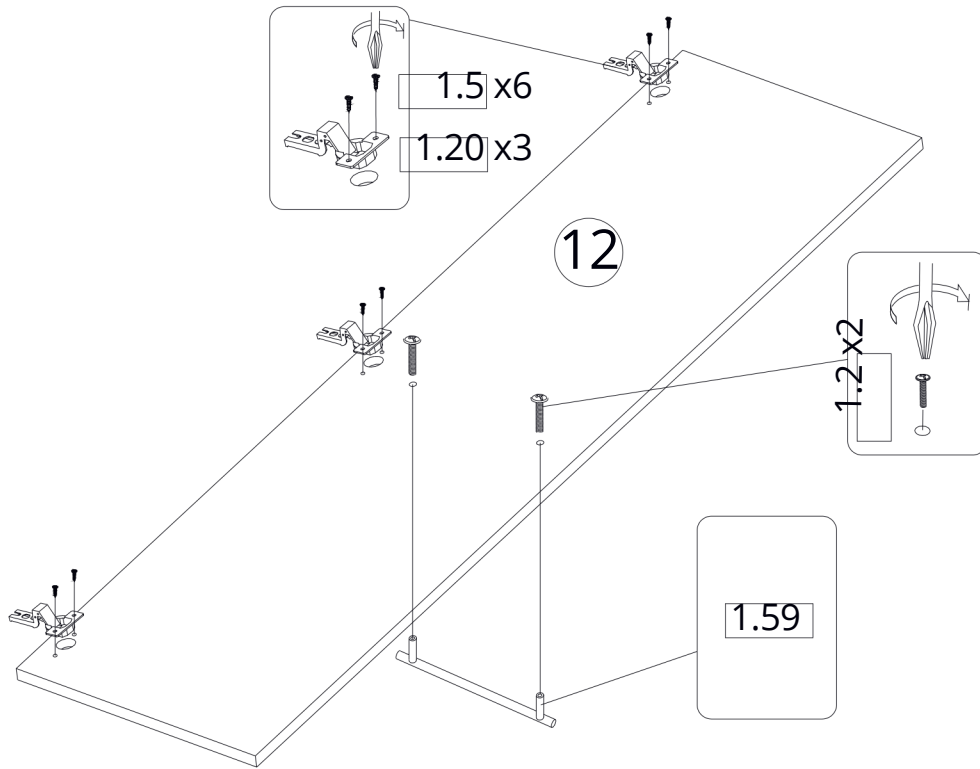
# 18 x2



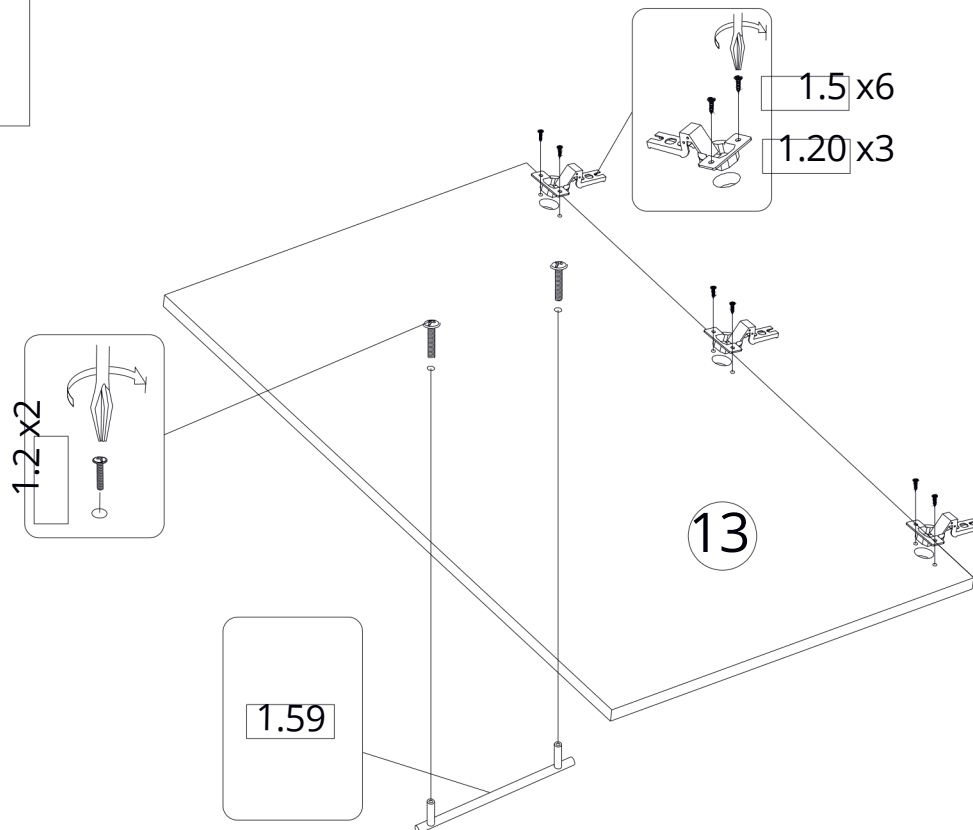
# 19 x2

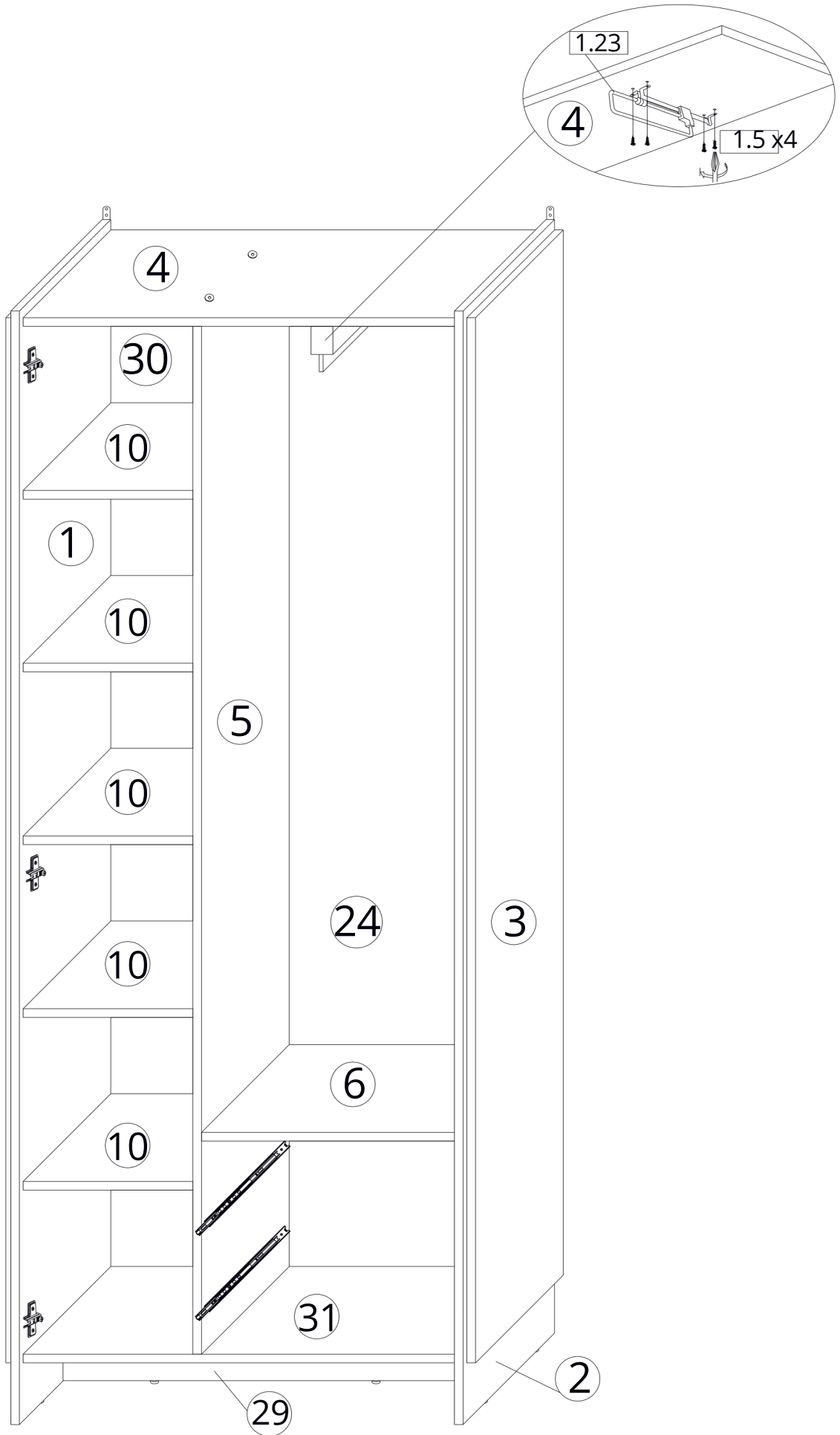


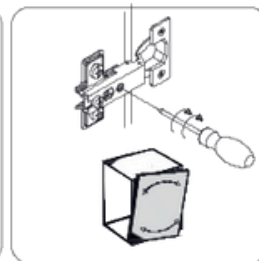
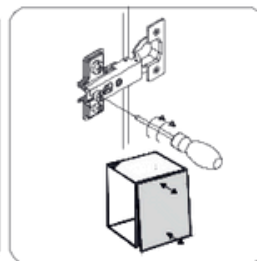
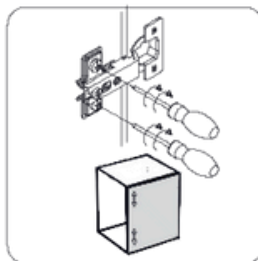
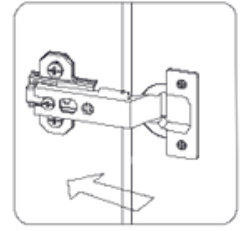
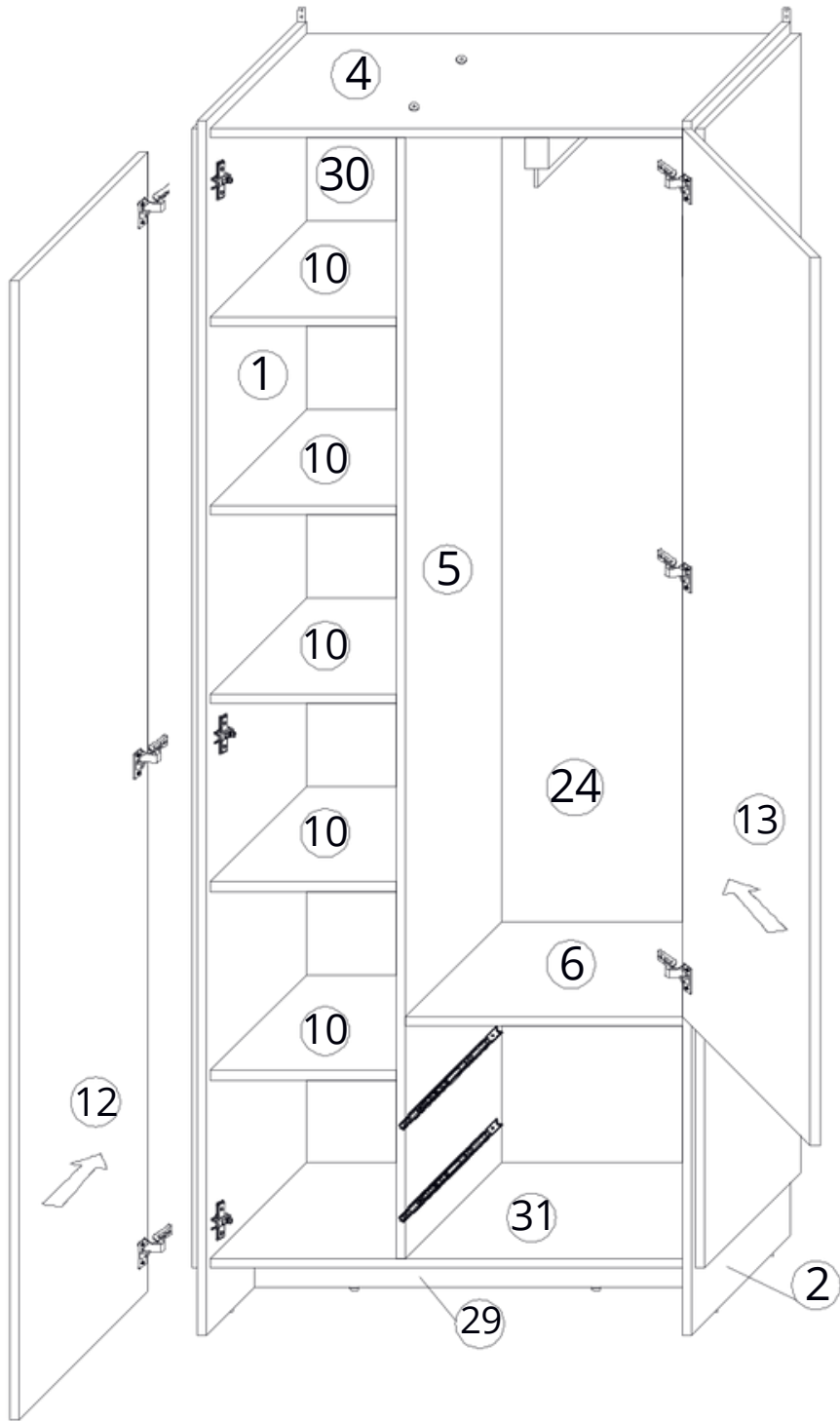
# 20

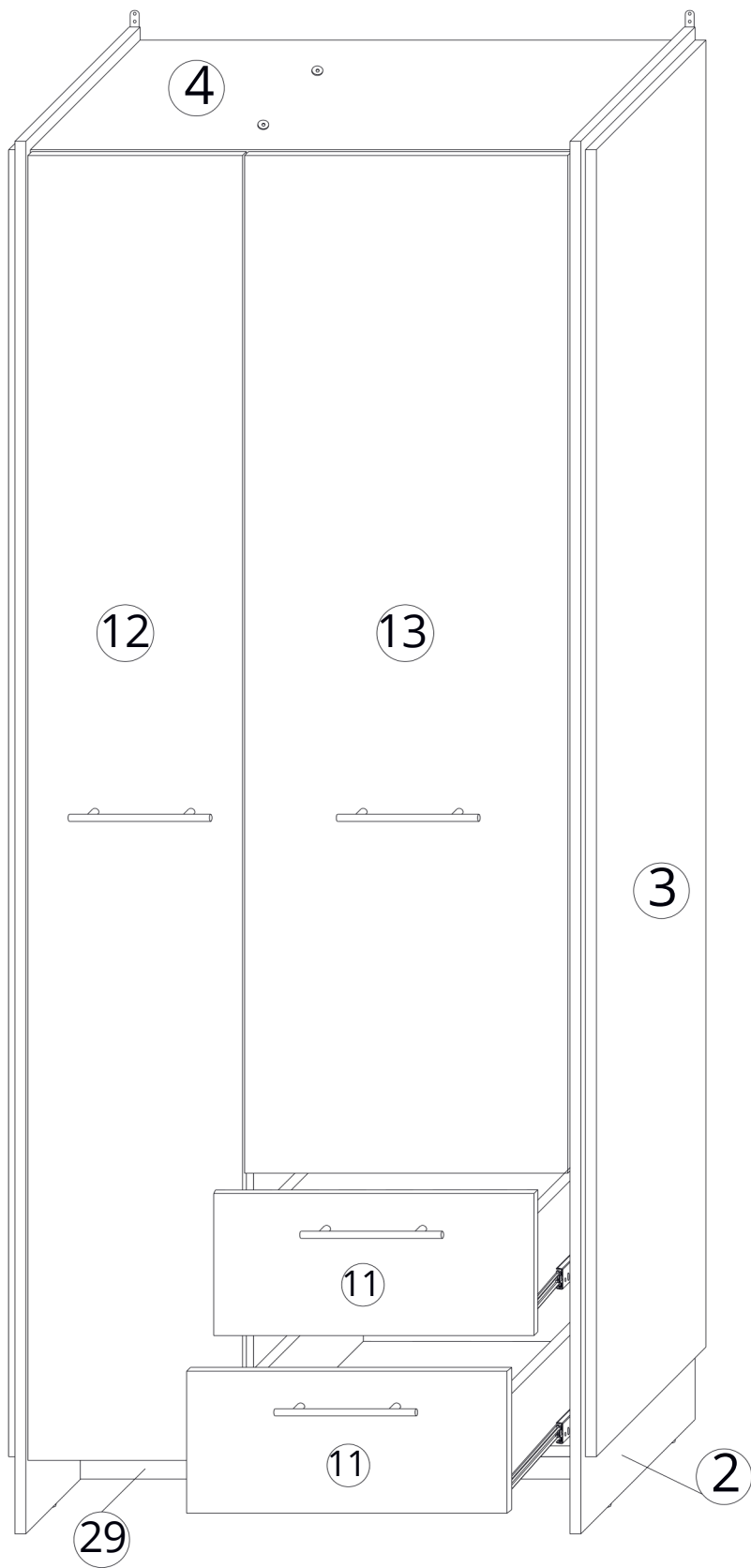


# 21

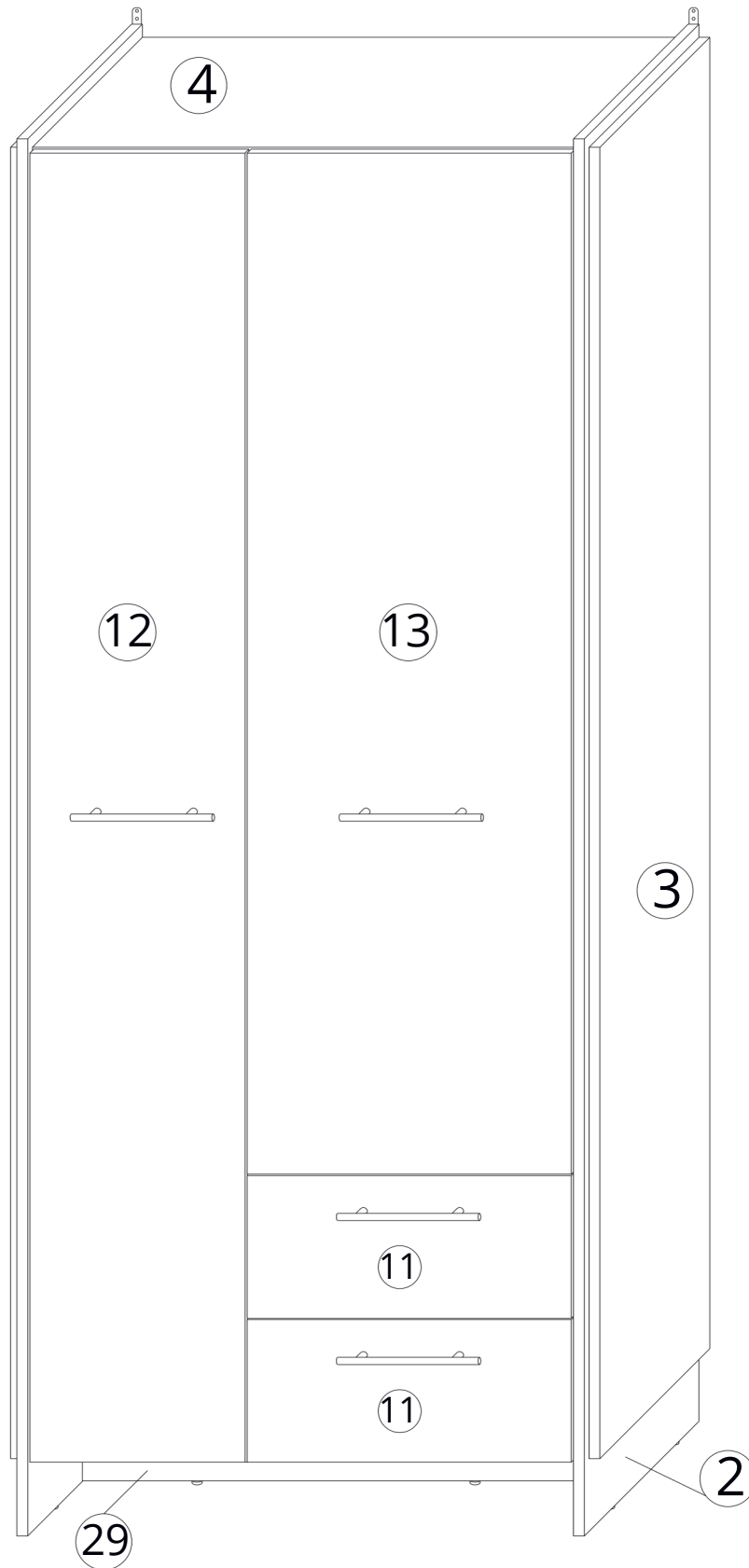








25



Always attach the furniture to the wall using stops! For wall mounting, use dowels appropriate to the material the wall is made of, if not If you are unsure, contact a specialist.  
Ultimately, the installer is responsible for the fasteners

