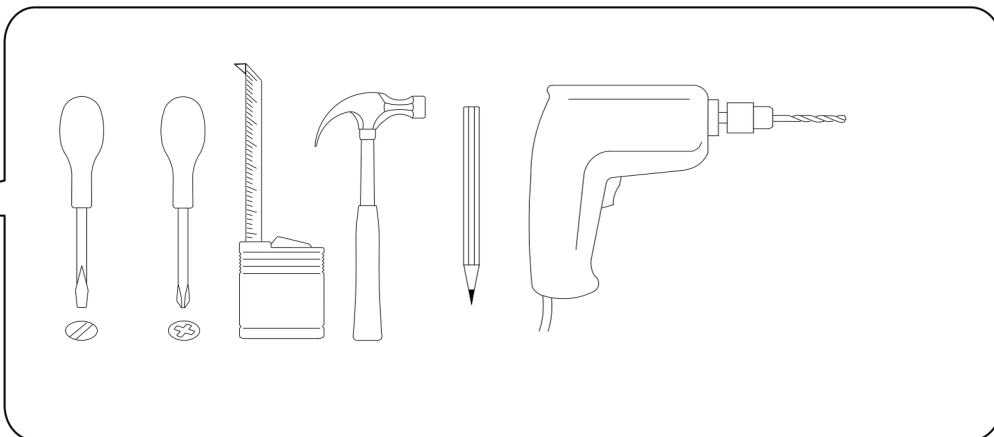
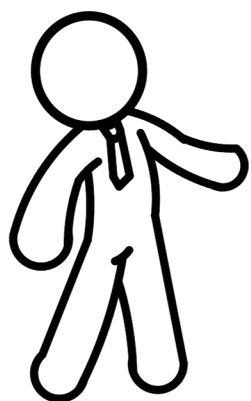
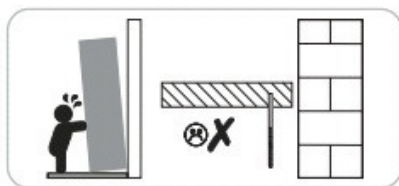
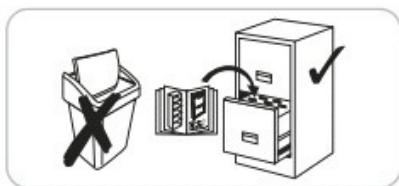
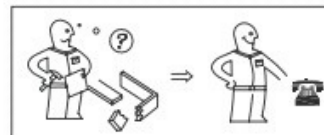
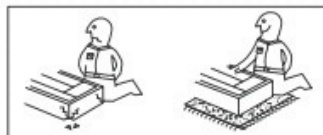
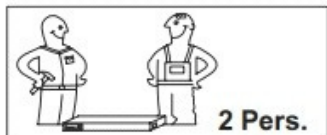
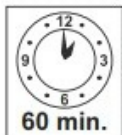
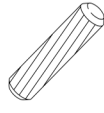


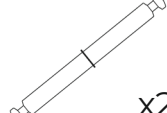
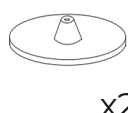
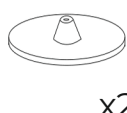





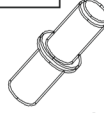
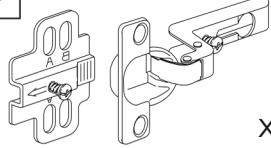
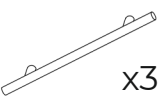



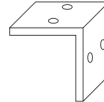

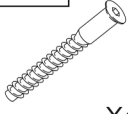
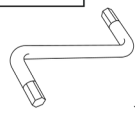
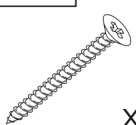
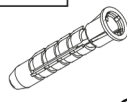
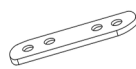
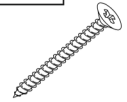


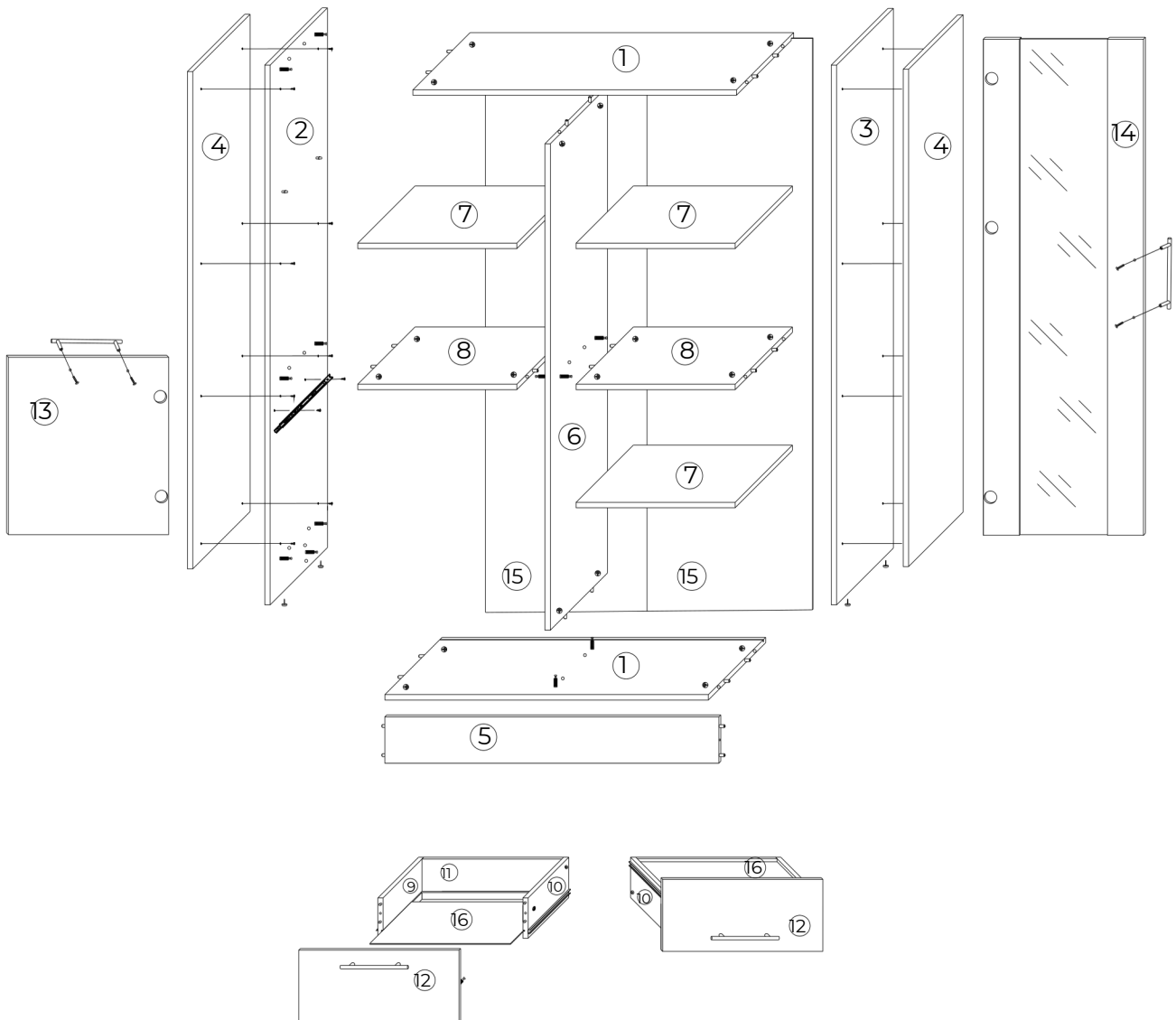
AMINO witryna niska 1D1W1S



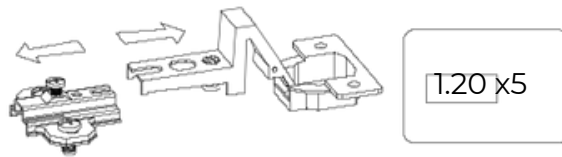
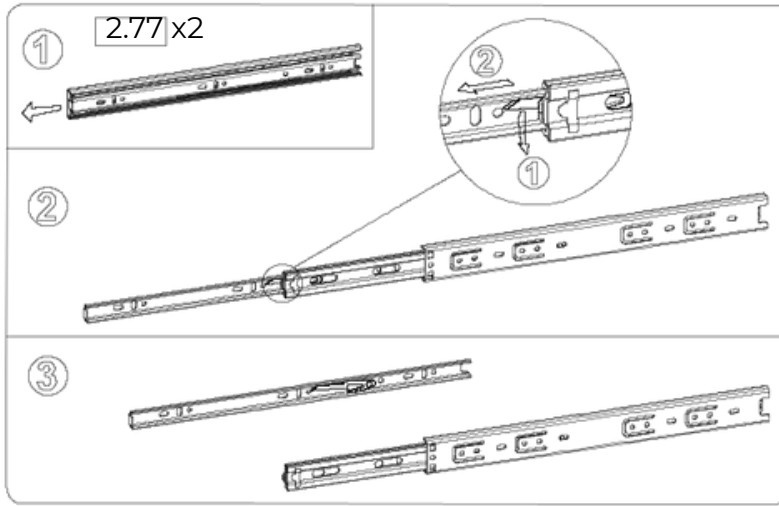


Packet	Nº	Lenght	Width	Qty
Nº1	1	899**	428	2
	4	1382**	428**	2
	8	442*	408	2
	9	400*	113	1
	10	400*	113	1
	11	386*	113	1
	12	441**	200**	1
		Fittings		1
Nº2	2	1500**	446*	1
	3	1500**	446*	1
	5	899	100	1
	6	1352*	408	1
	7	442*	398	3
	13	441**	493**	1
	15	1362	454/3	2
	16	396	395/3	1
Nº3	14	443	1379	1

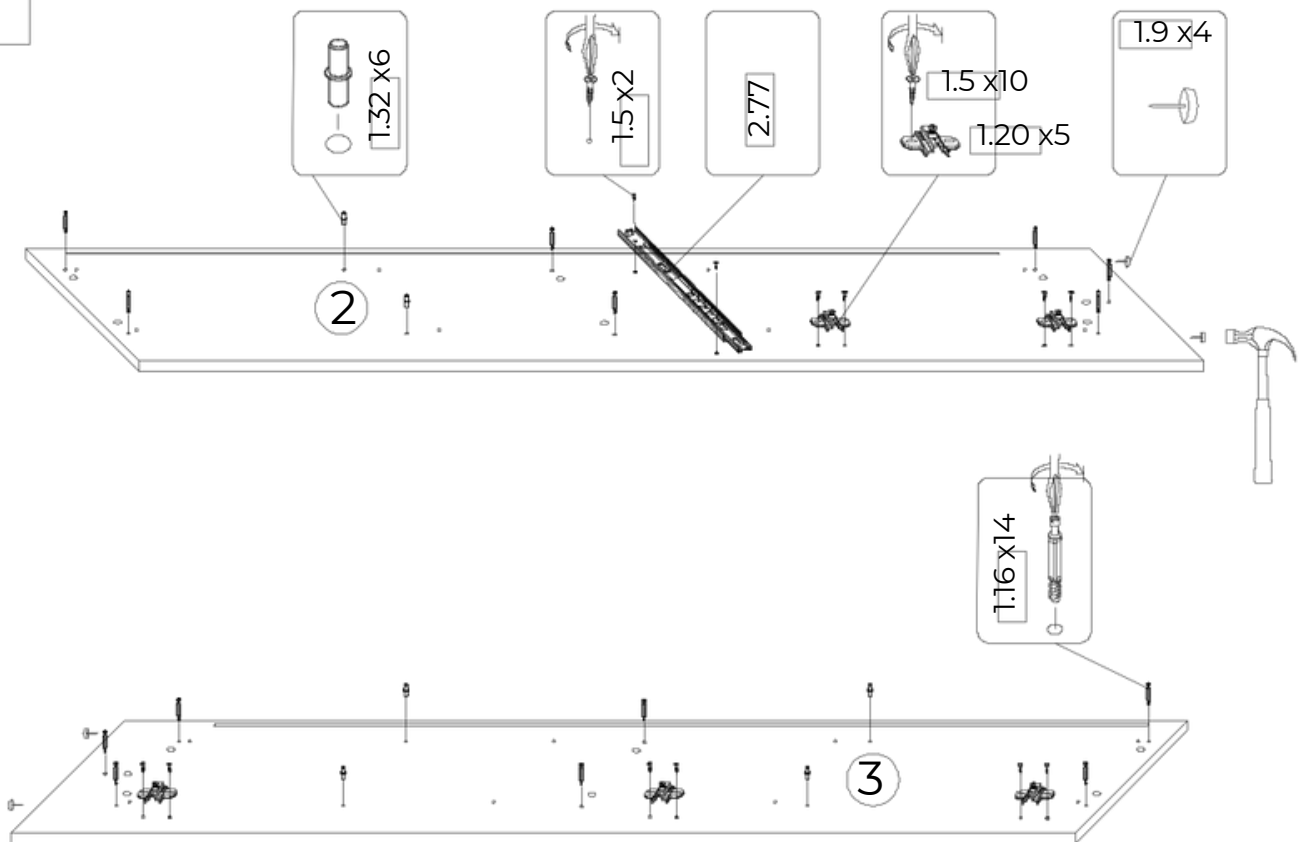
1.14  x29	1.16  x21	1.17  x25	1.31 84mm  x2	2.68 black color  x2	1.30 wood color  x22	1.47 4x25mm  x16
2.69 5x12mm  x16	2.02  x20	2.61  x6	1.9  x5	1.32  x13	1.20  x5	
1.59  x3	1.2  x6	1.85 black color  x16	1.5 3,5x16mm  x62	1.62  x2	2.77  400mm x1	
1.7  x4	1.6  x1	1.33 4x50mm  x2	1.36 8x40mm  x2	1.58 60mm  x2	1.49 3,5x30mm  x2	



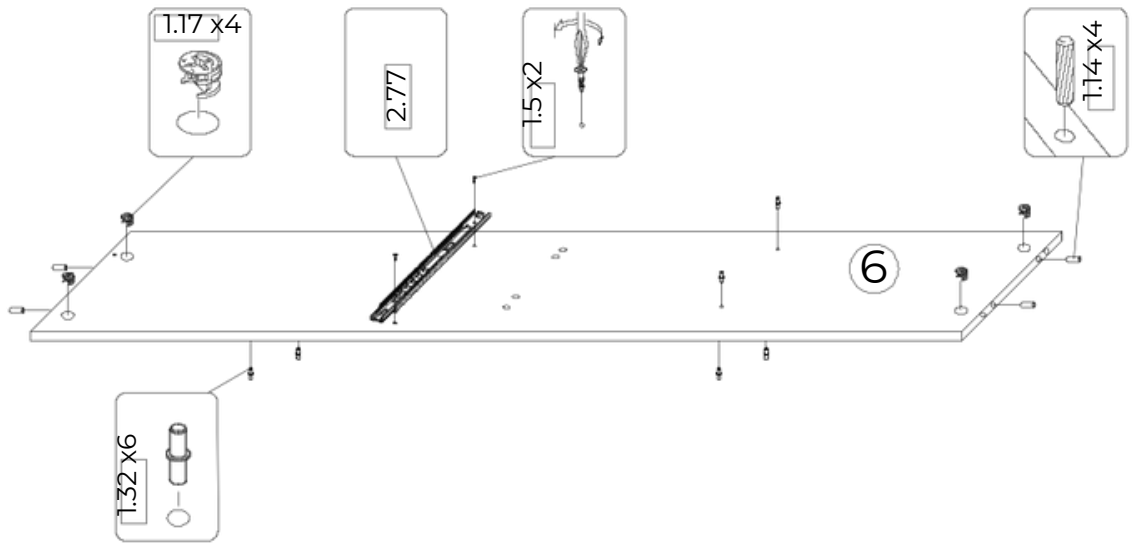
1



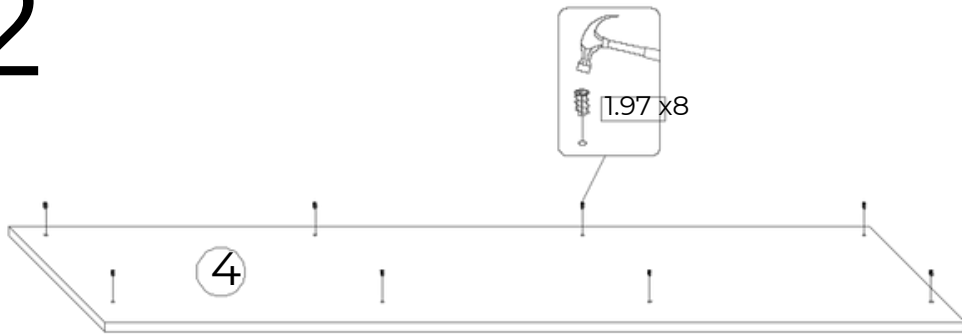
2



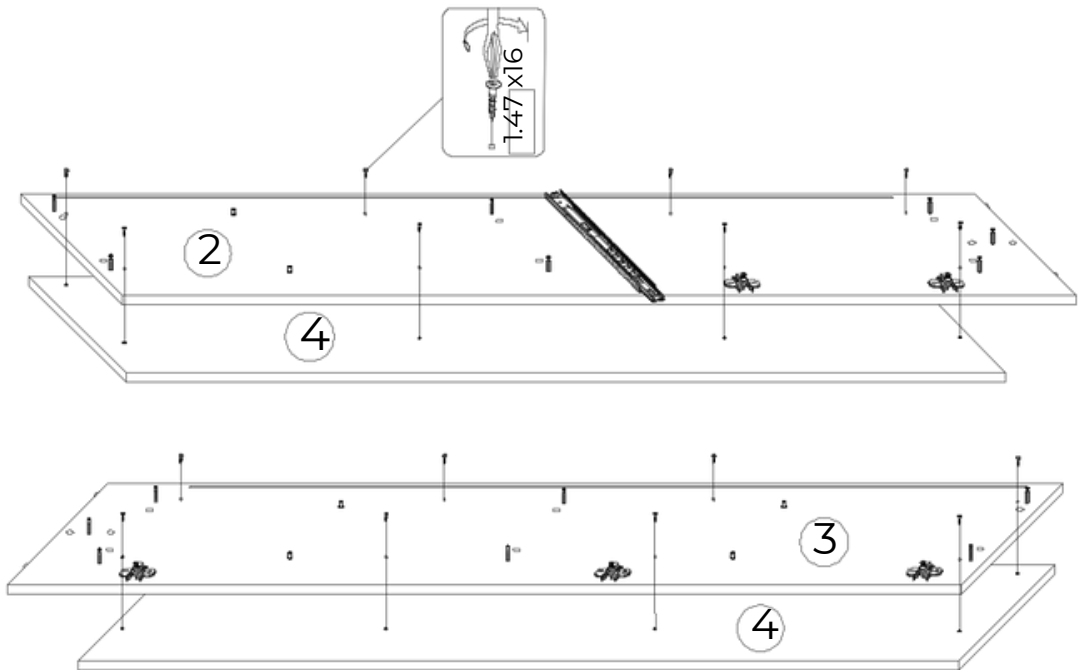
3



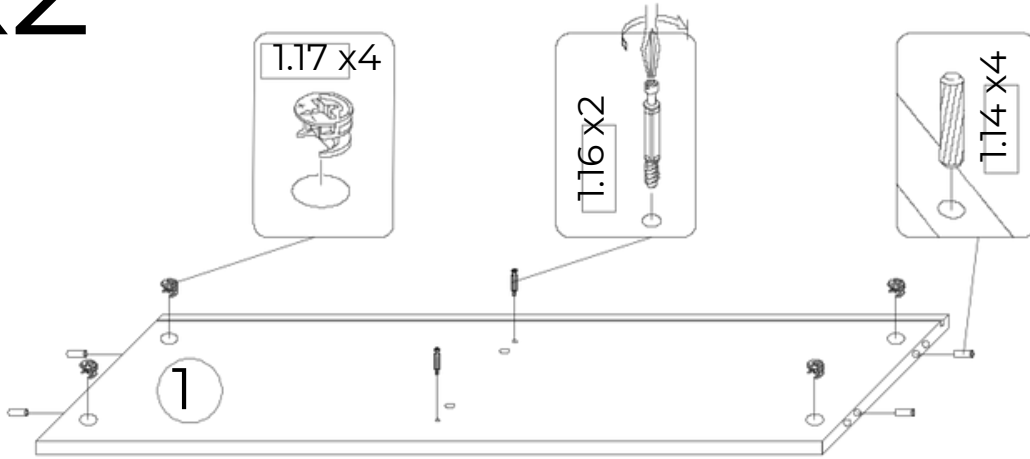
4x2



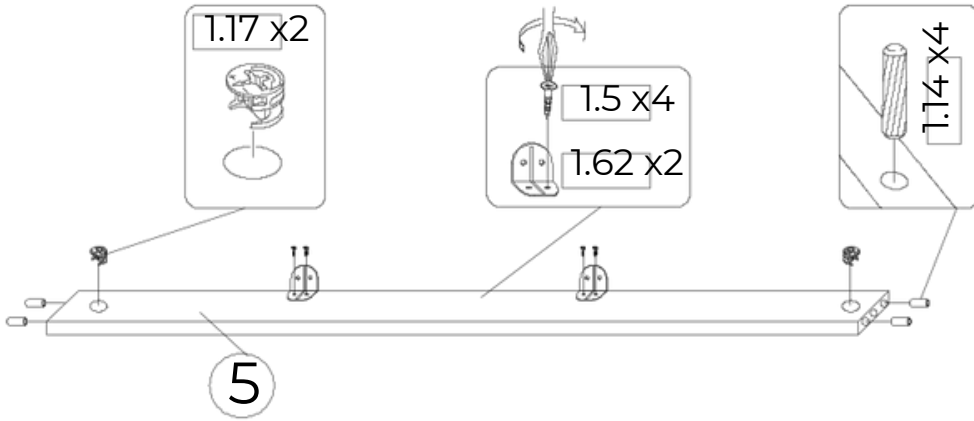
5



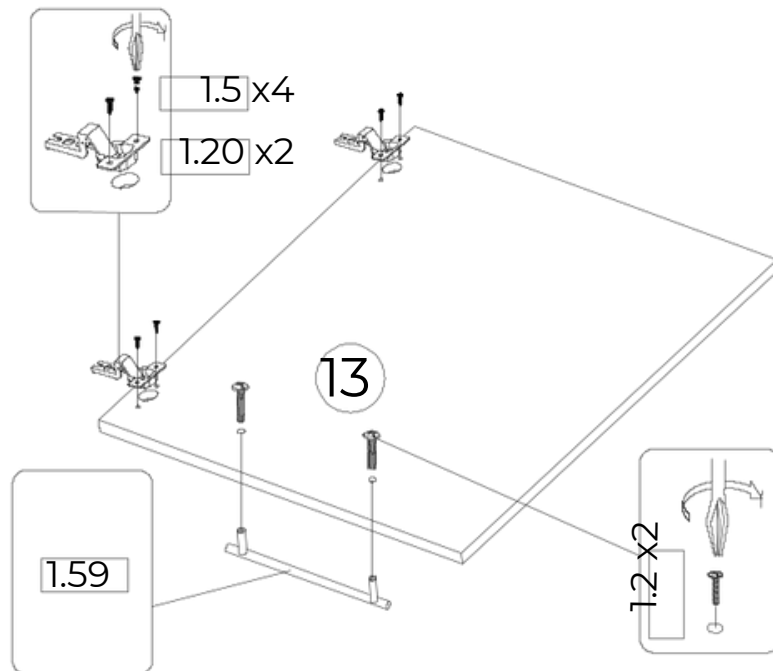
6x2



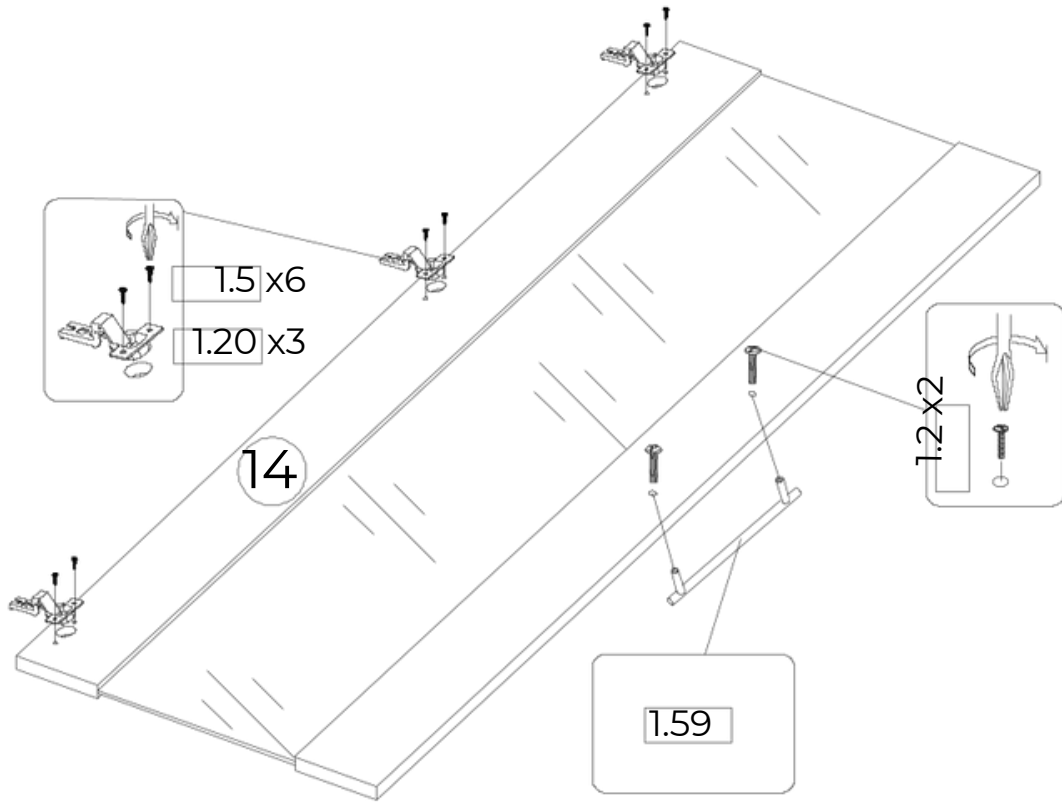
7



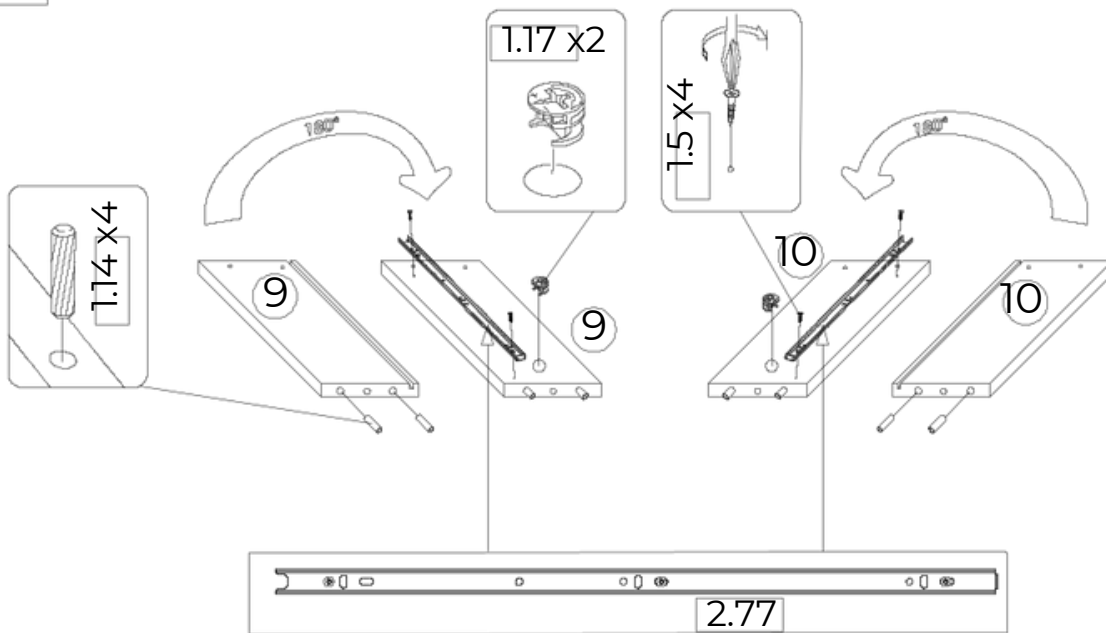
8



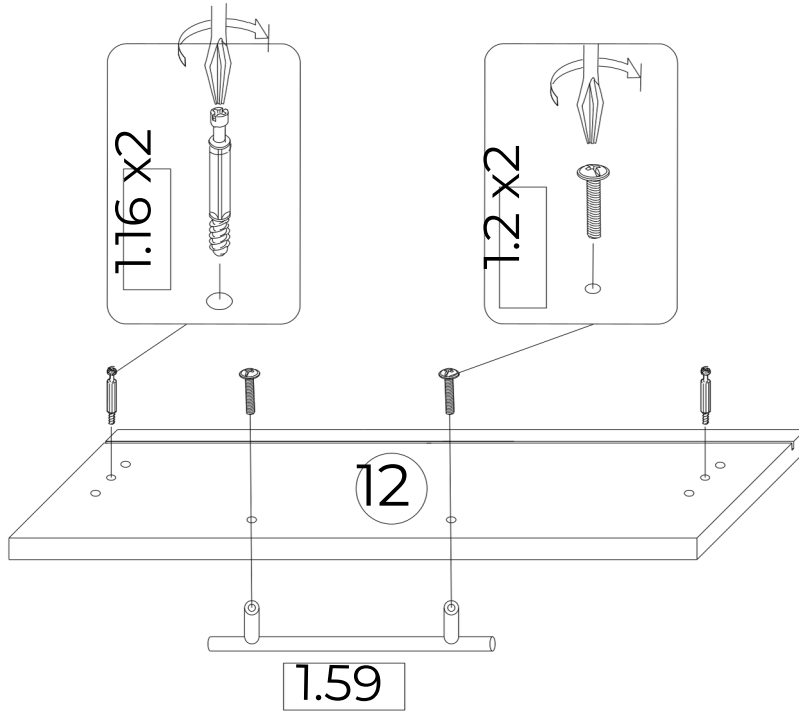
9



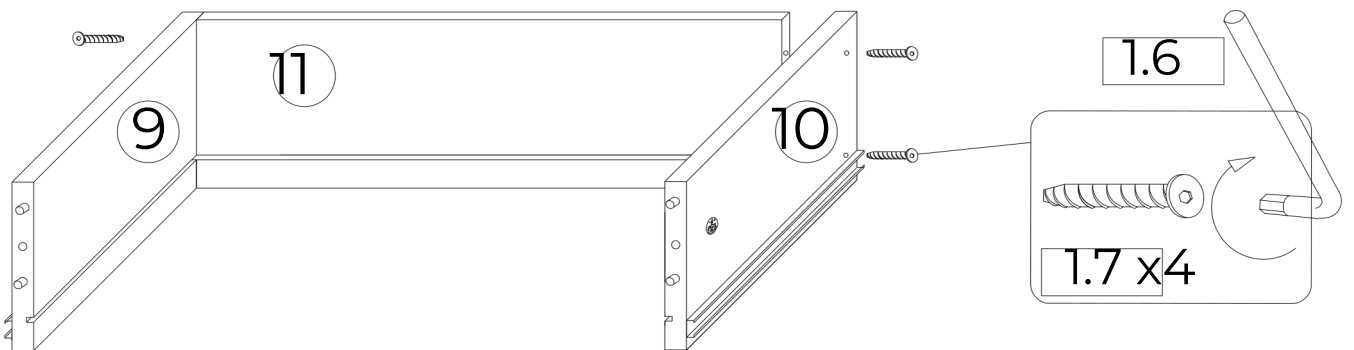
10



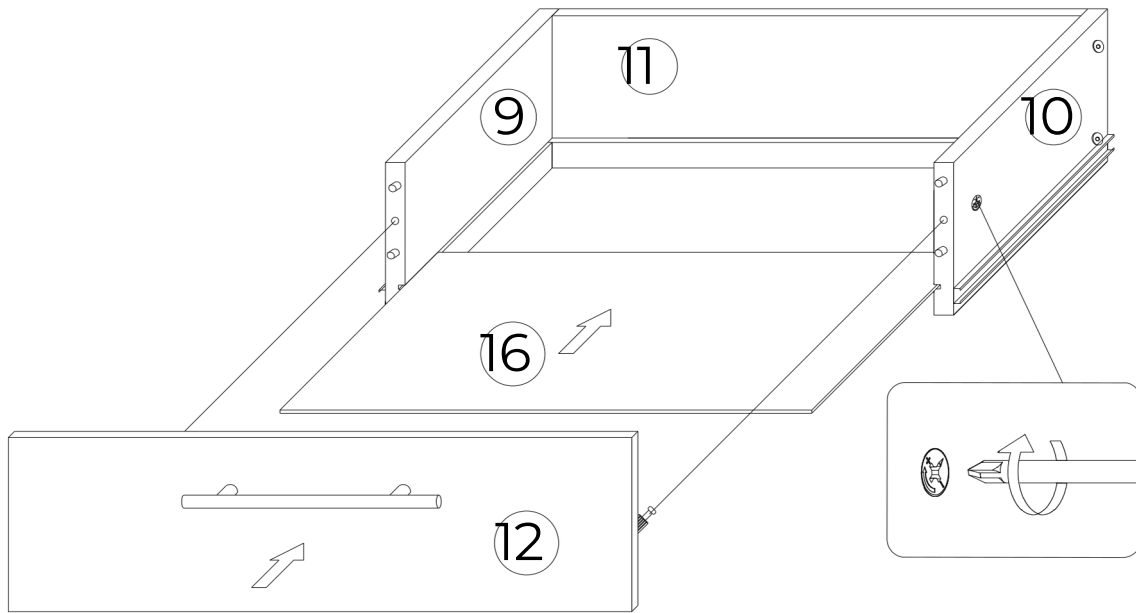
11



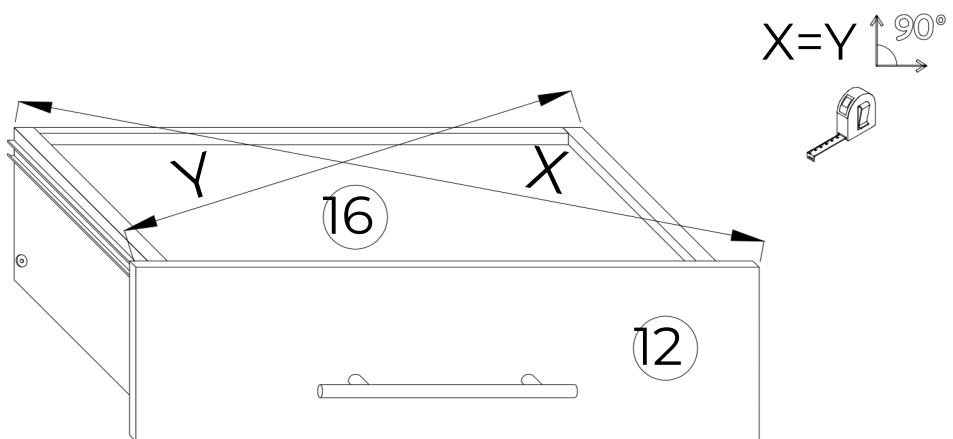
12



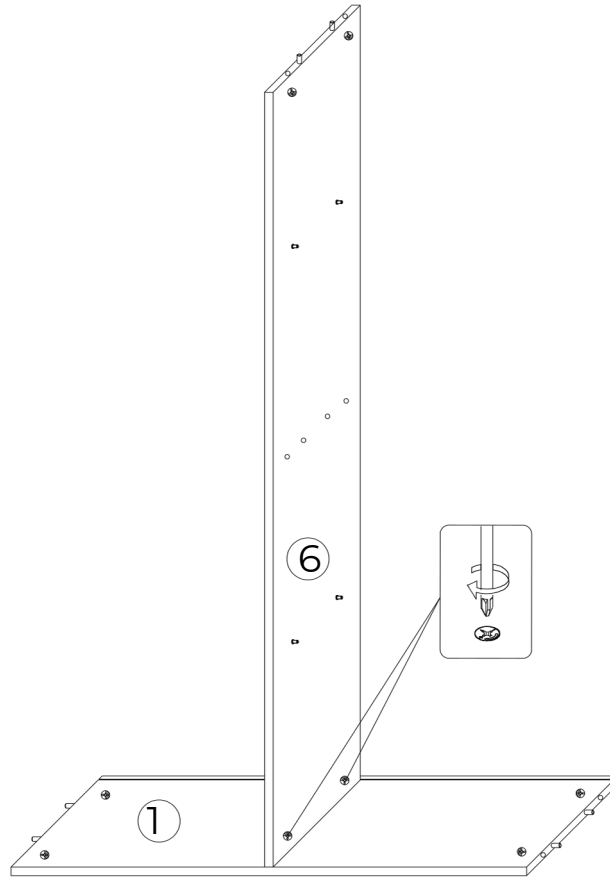
13



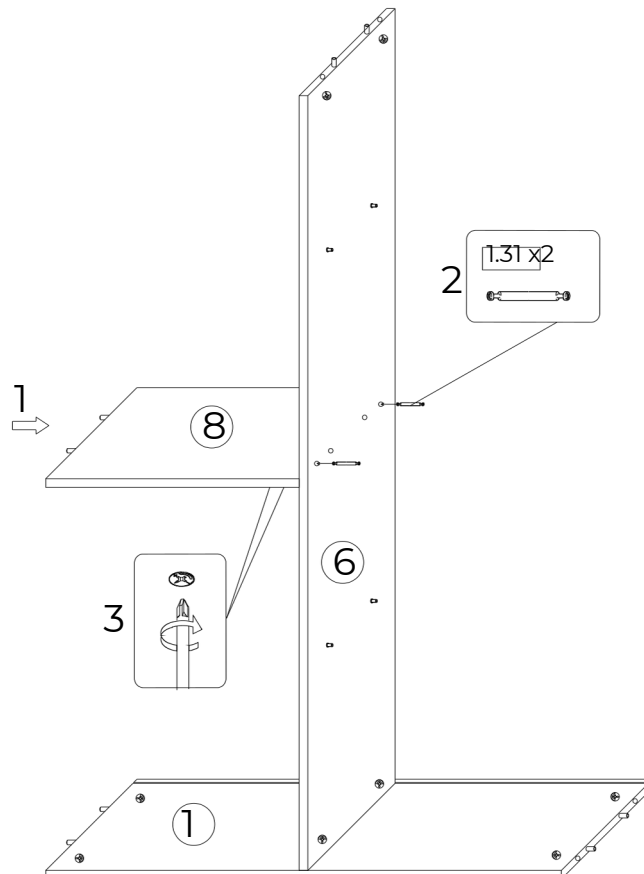
14



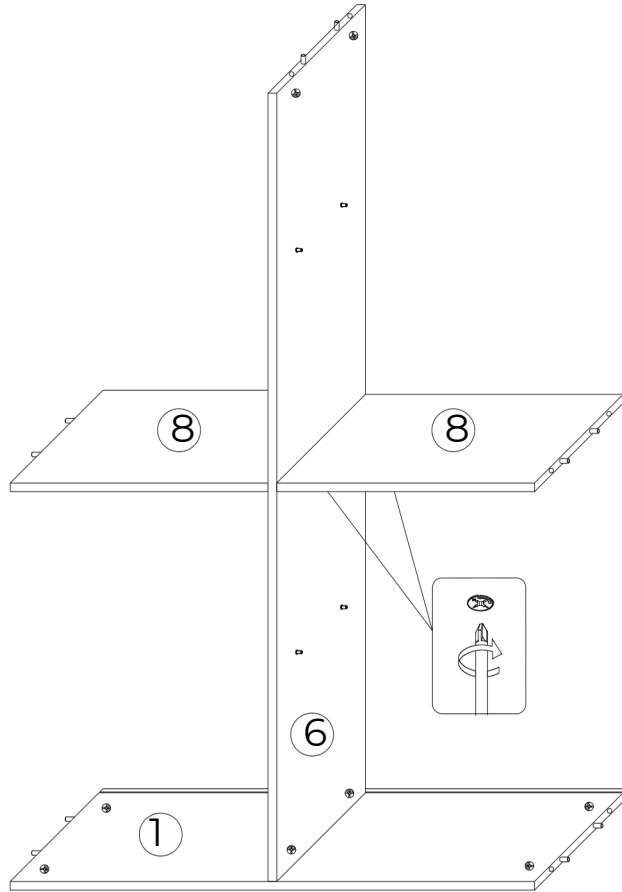
15



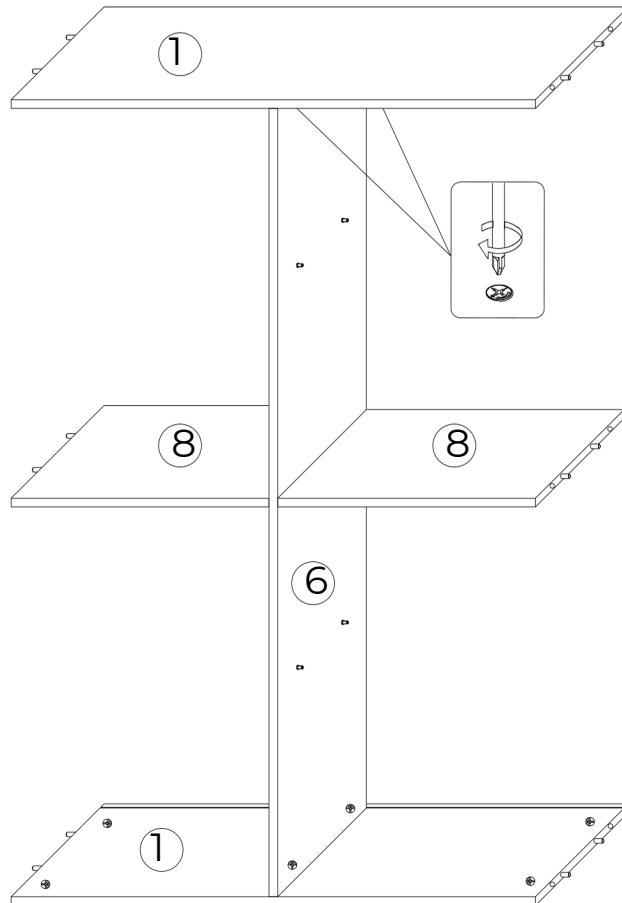
16



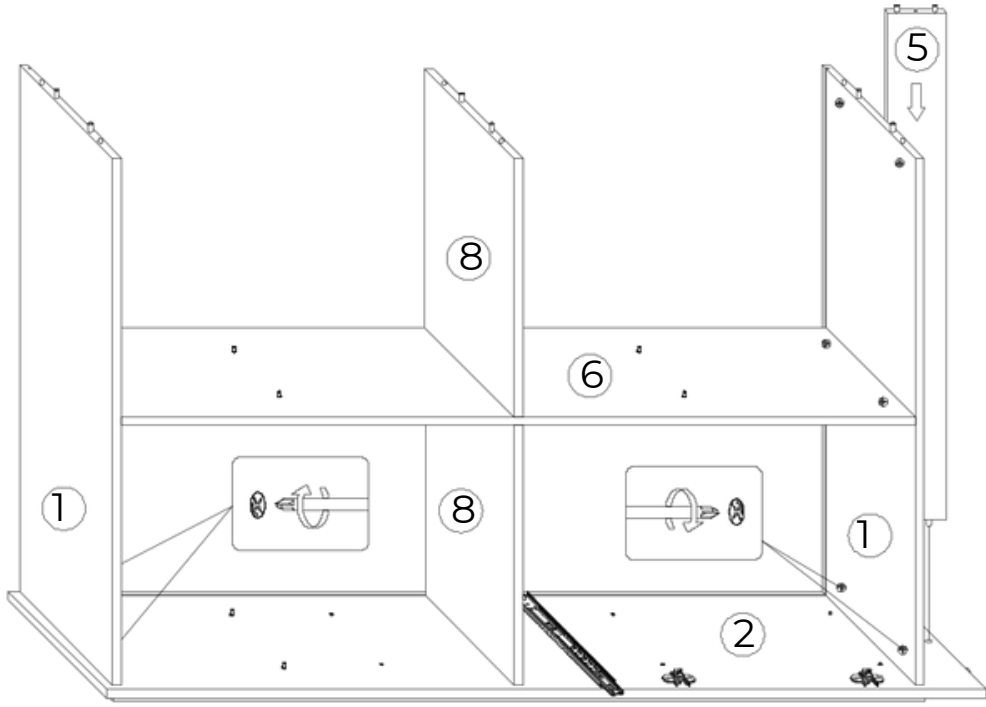
17



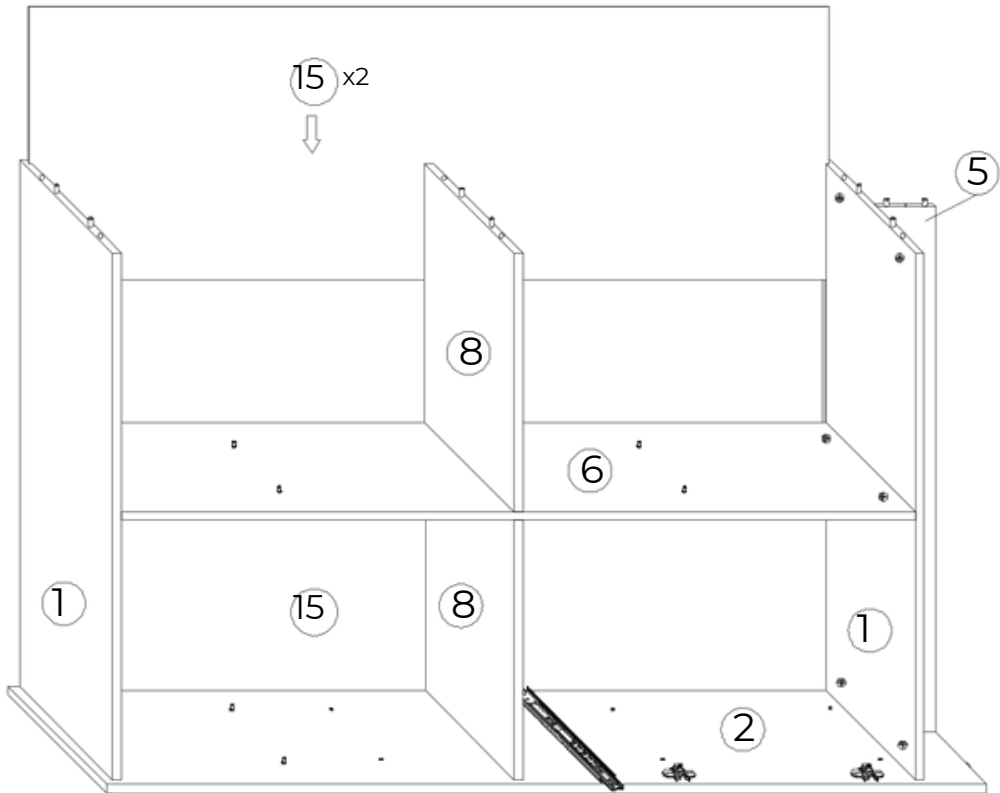
18



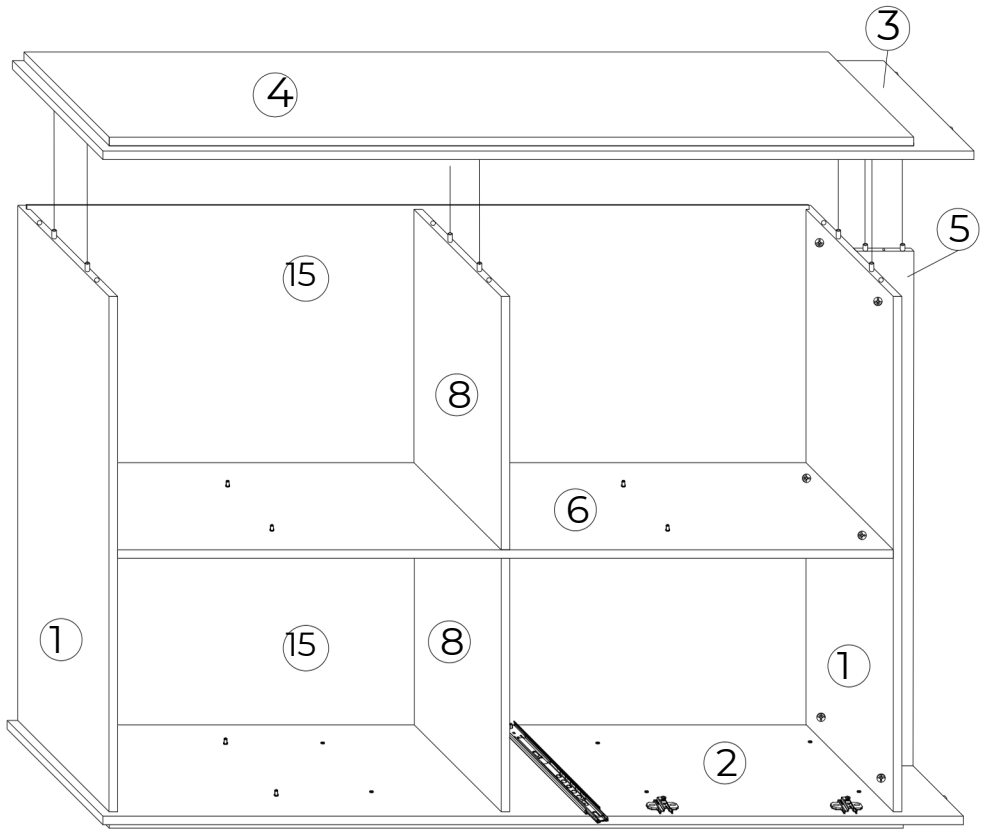
19



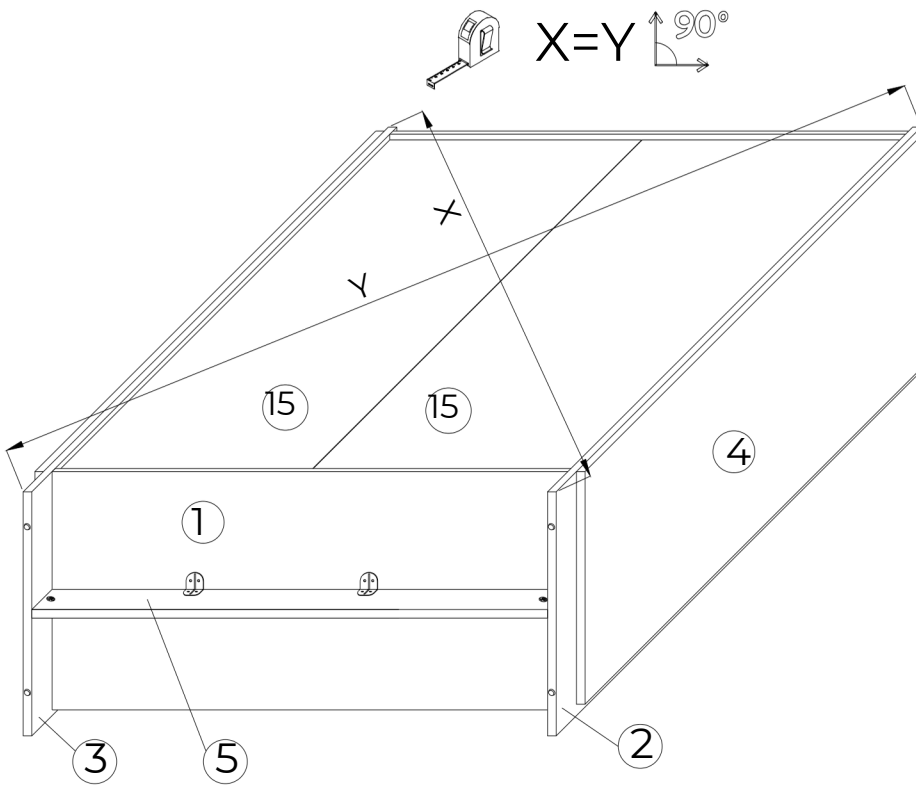
20



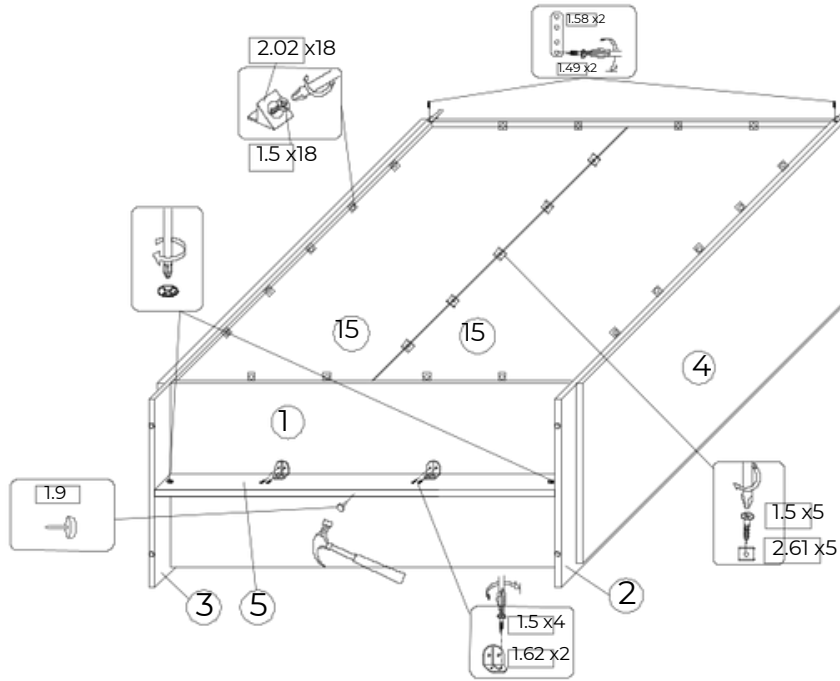
21



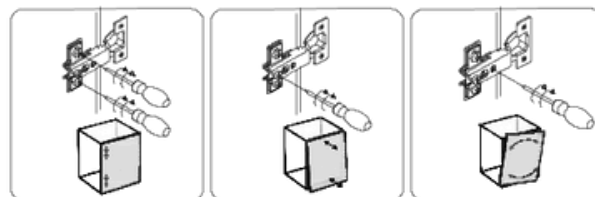
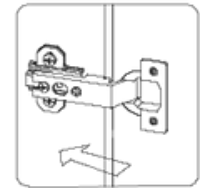
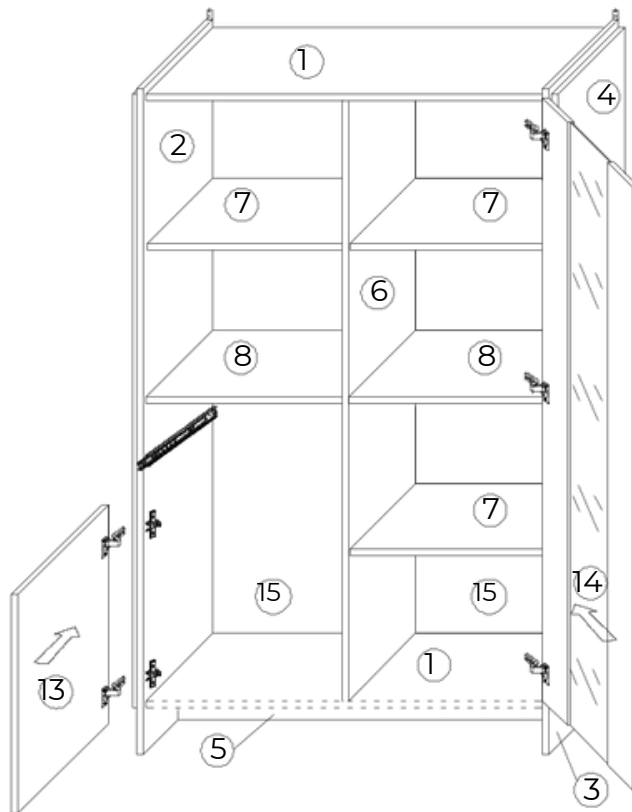
22



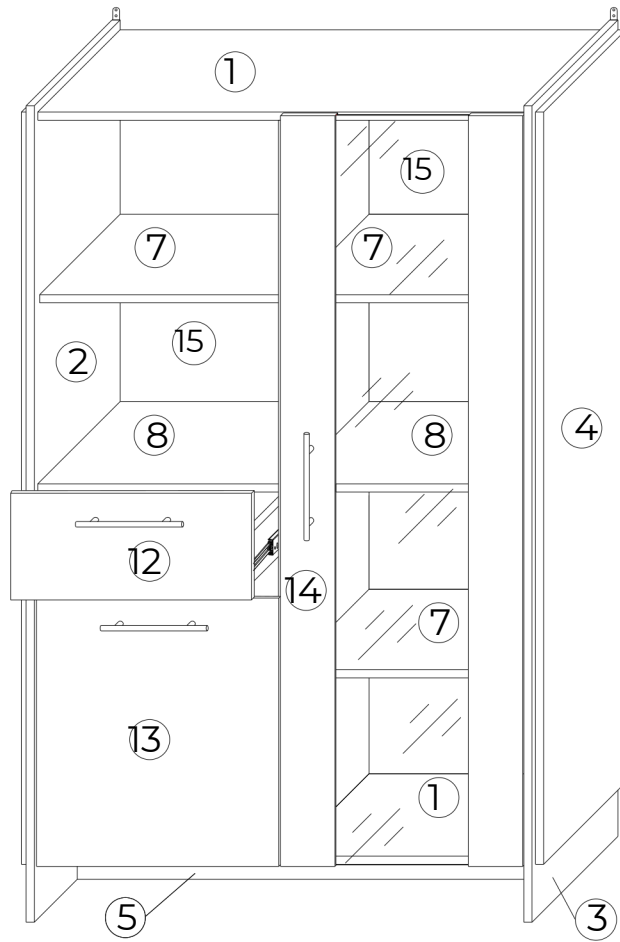
23



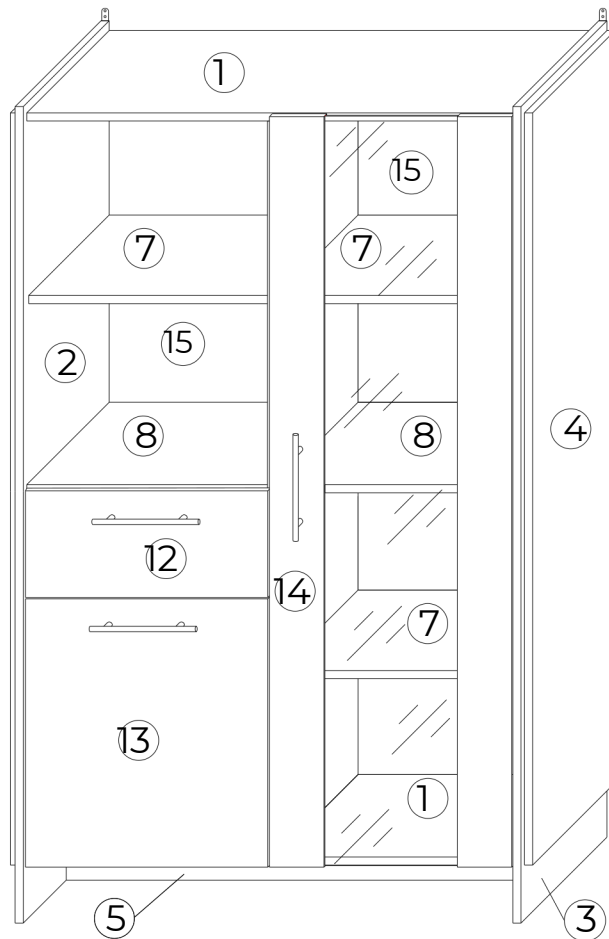
24



25



26



Always attach the furniture to the wall using stops! For wall mounting, use dowels appropriate to the material the wall is made of, if not If you are unsure, contact a specialist. Ultimately, the installer is responsible for the fasteners

