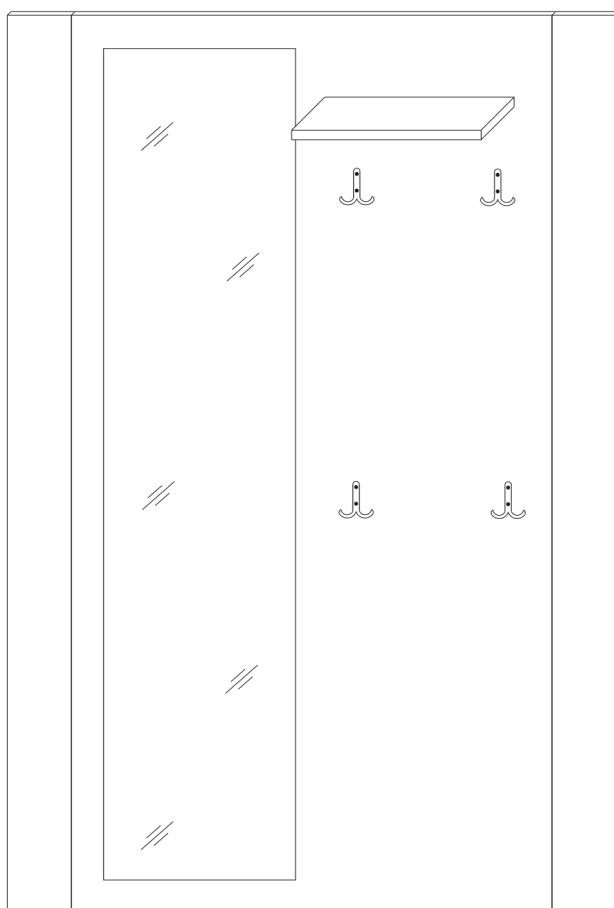
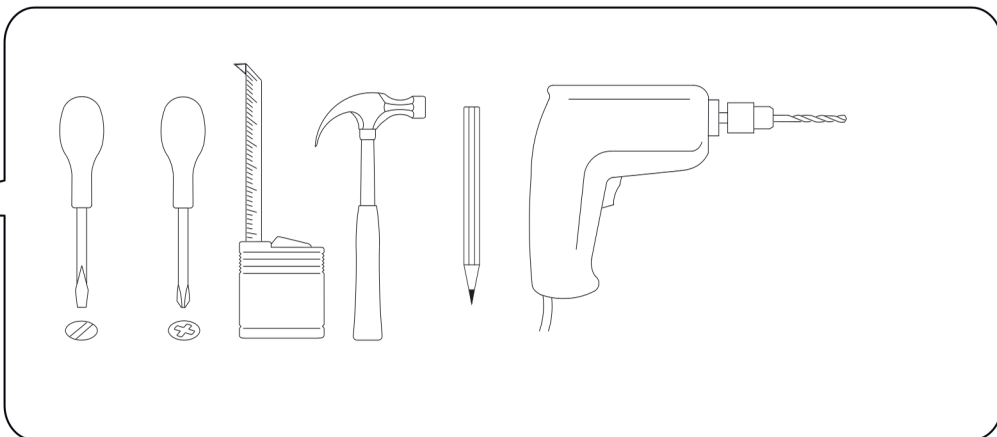
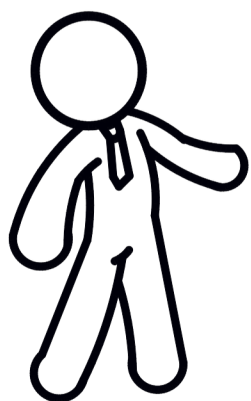
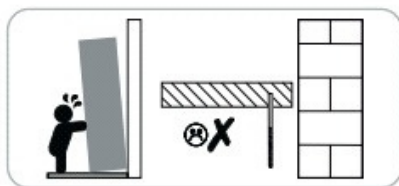
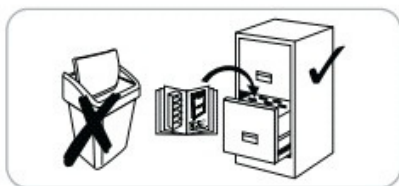
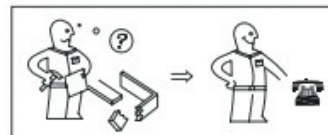
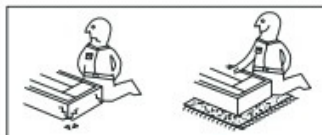
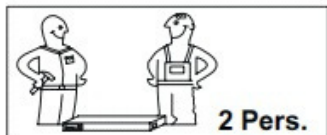


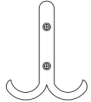
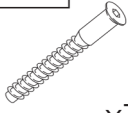
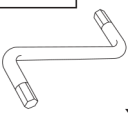
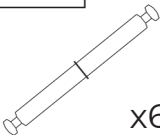
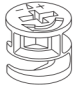
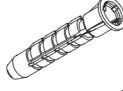
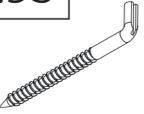
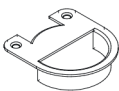

AMINO panel przedpokojowy z lustrem

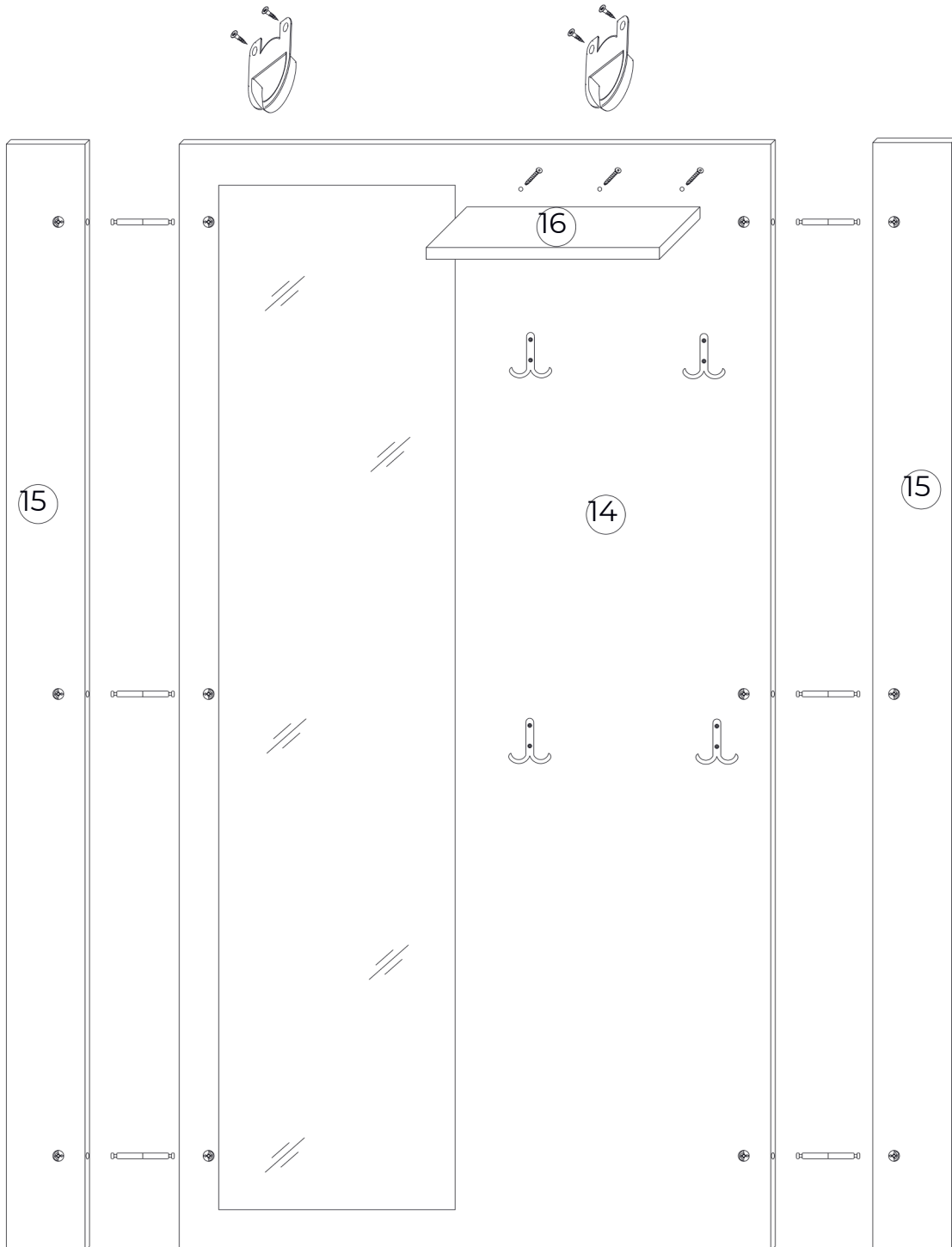




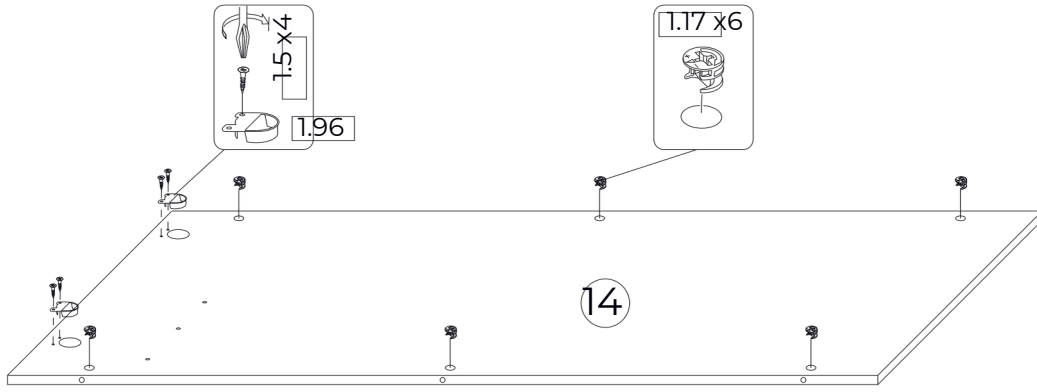
Packet	No	Lenght	Width	Qty
No1	14	1402**	750**	1
	15	1402**	100**	2
	16	296*	145**	1
		Fitting		1

S

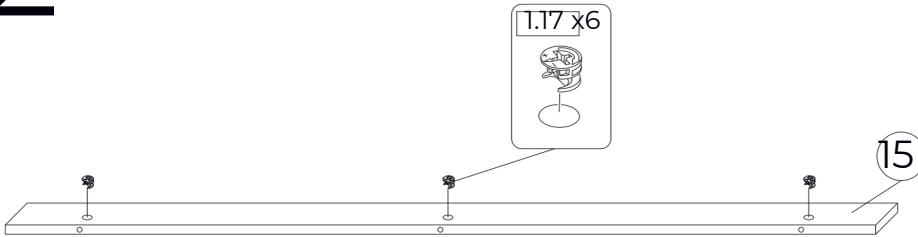
1.75		1.7		1.6		1.56	67mm	1.17	
	x4		x3		x1		x6		x12
1.36	8x40mm	1.95		1.96		1.5	3,5x16mm		
	x2		x2		x2		x14		



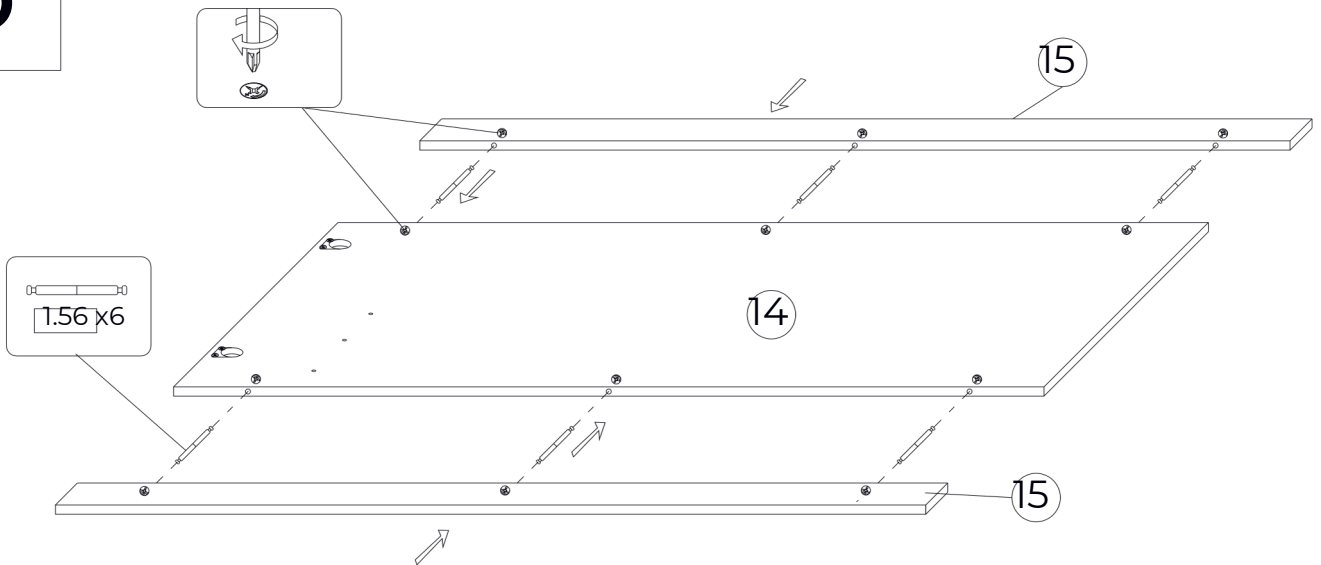
1



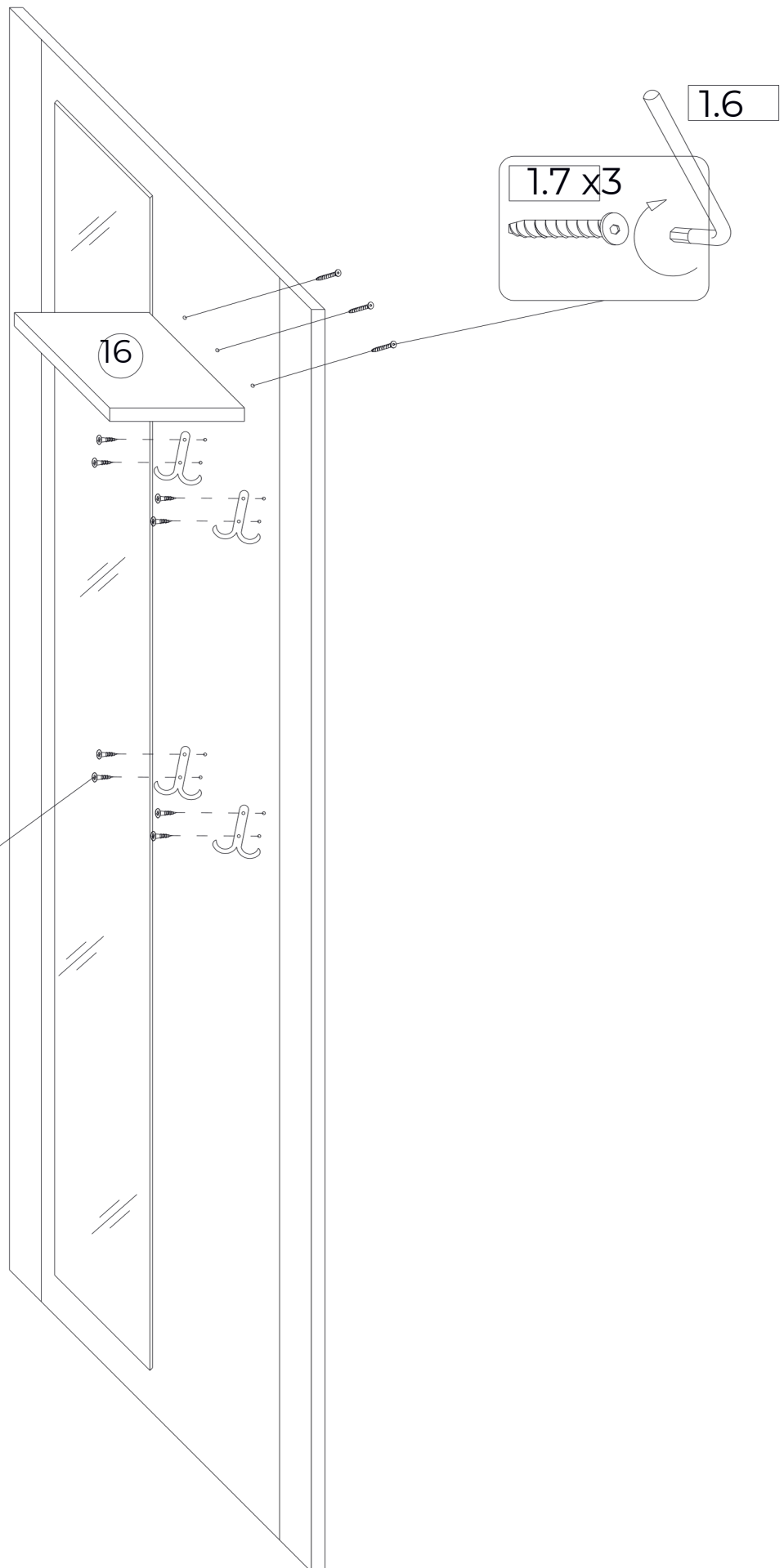
2x2



3

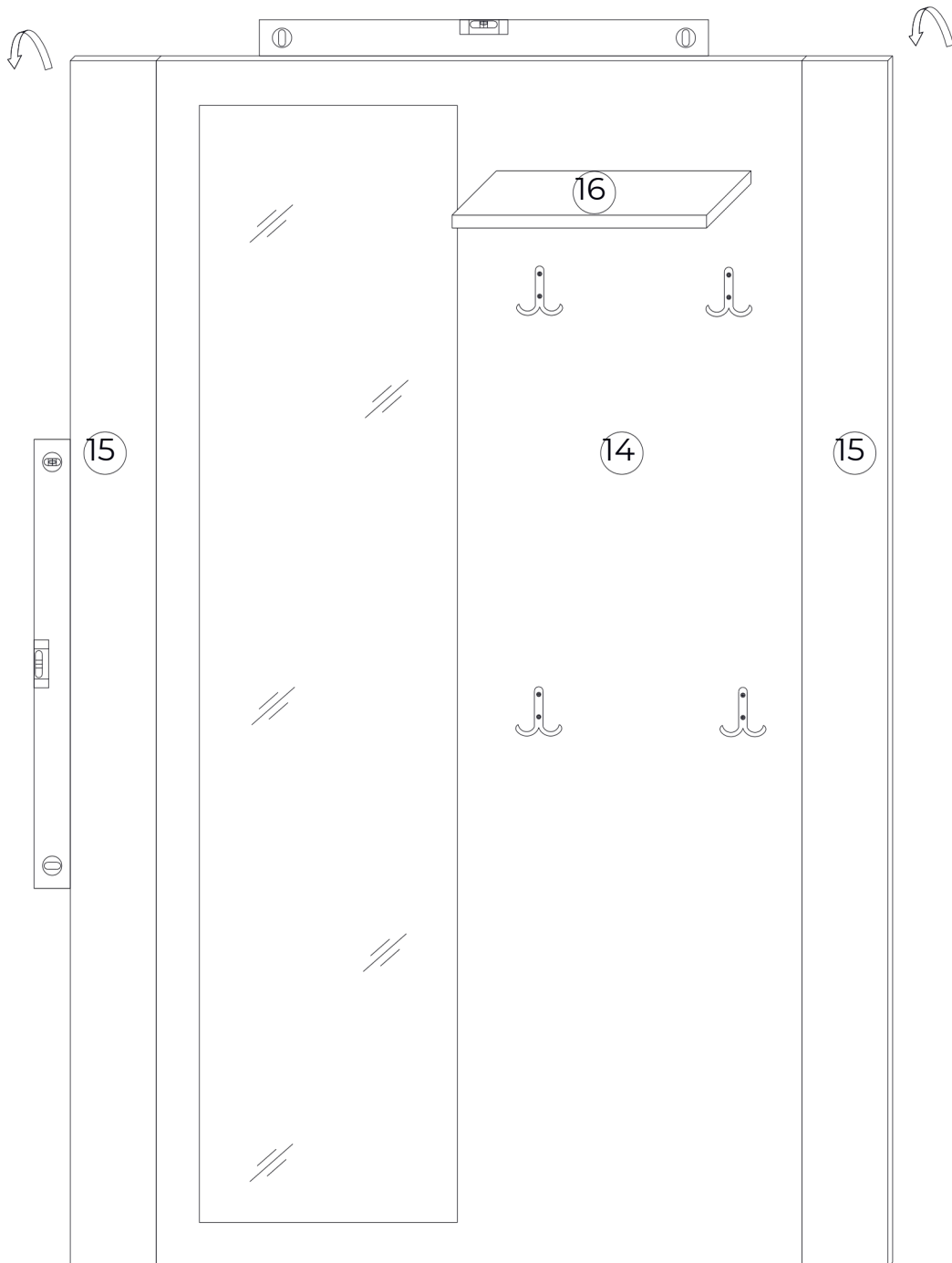
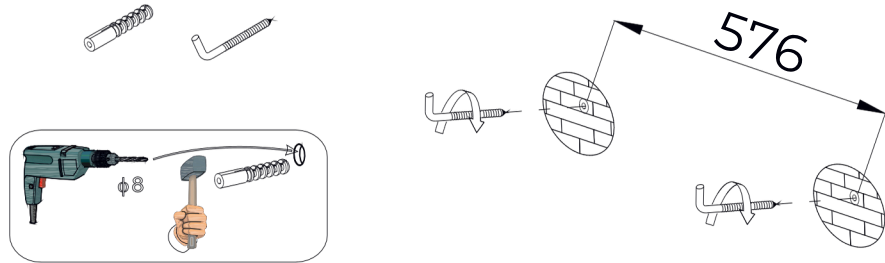
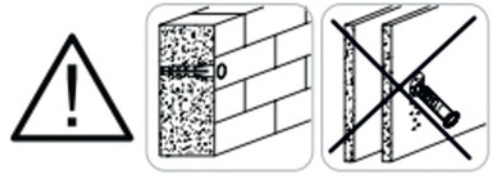


4



Always attach the furniture to the wall using stops! For wall mounting, use dowels appropriate to the material the wall is made of, if not If you are unsure, contact a specialist. Ultimately, the installer is responsible for the fasteners

4



5

