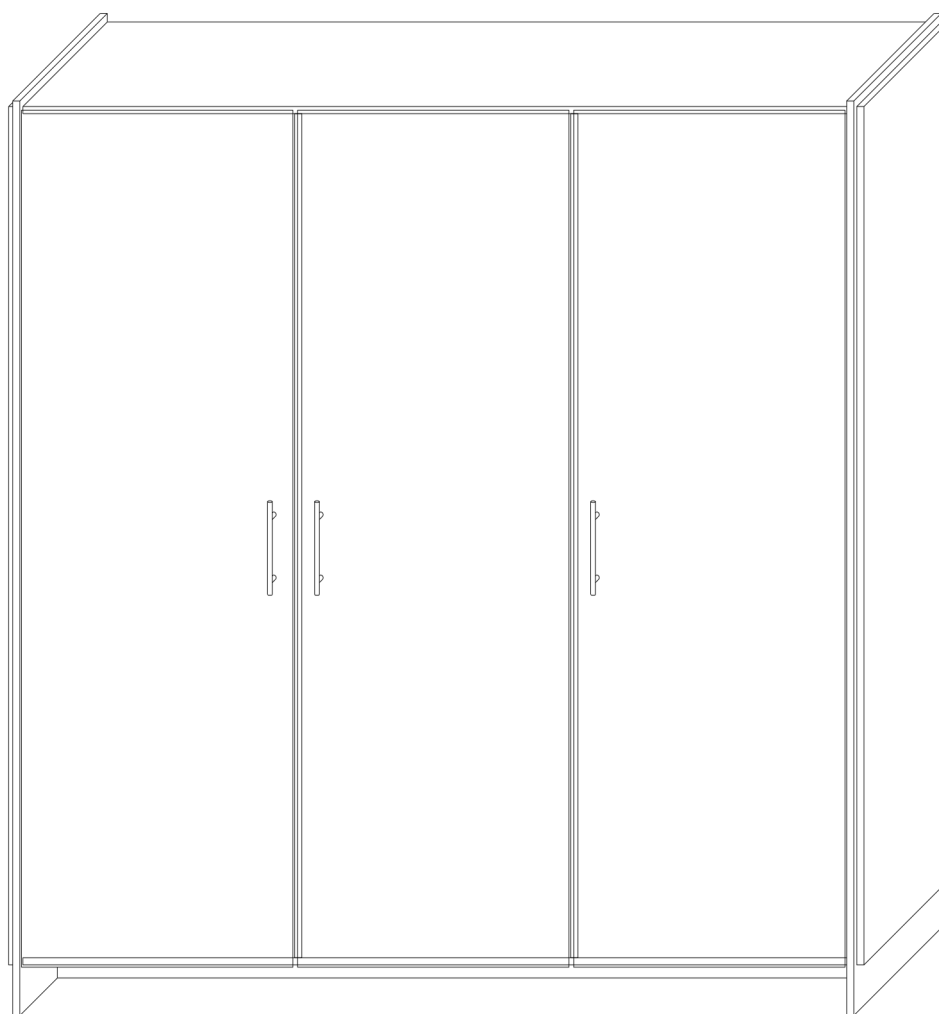
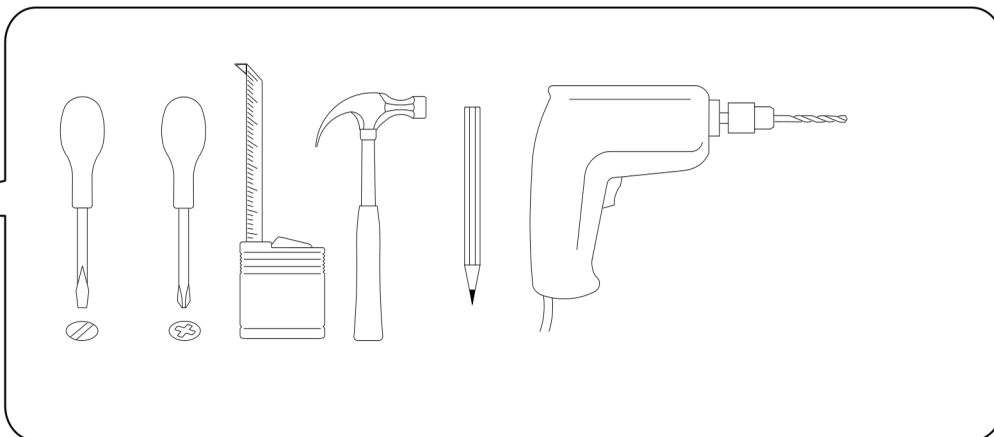
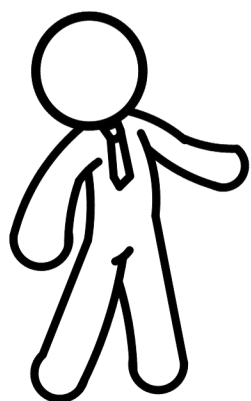
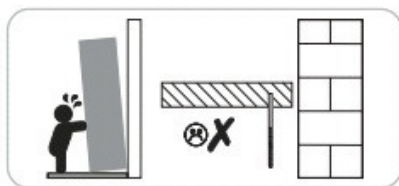
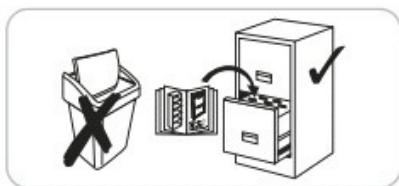
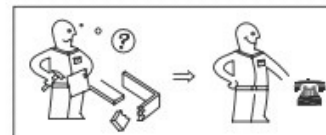
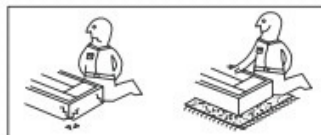
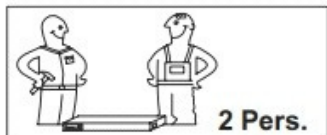
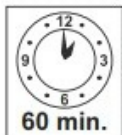
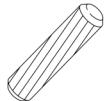
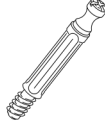

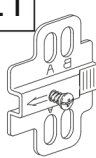







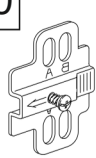
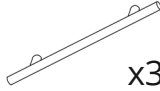



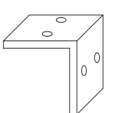


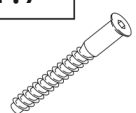


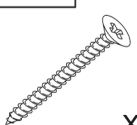
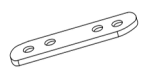
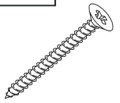
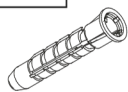


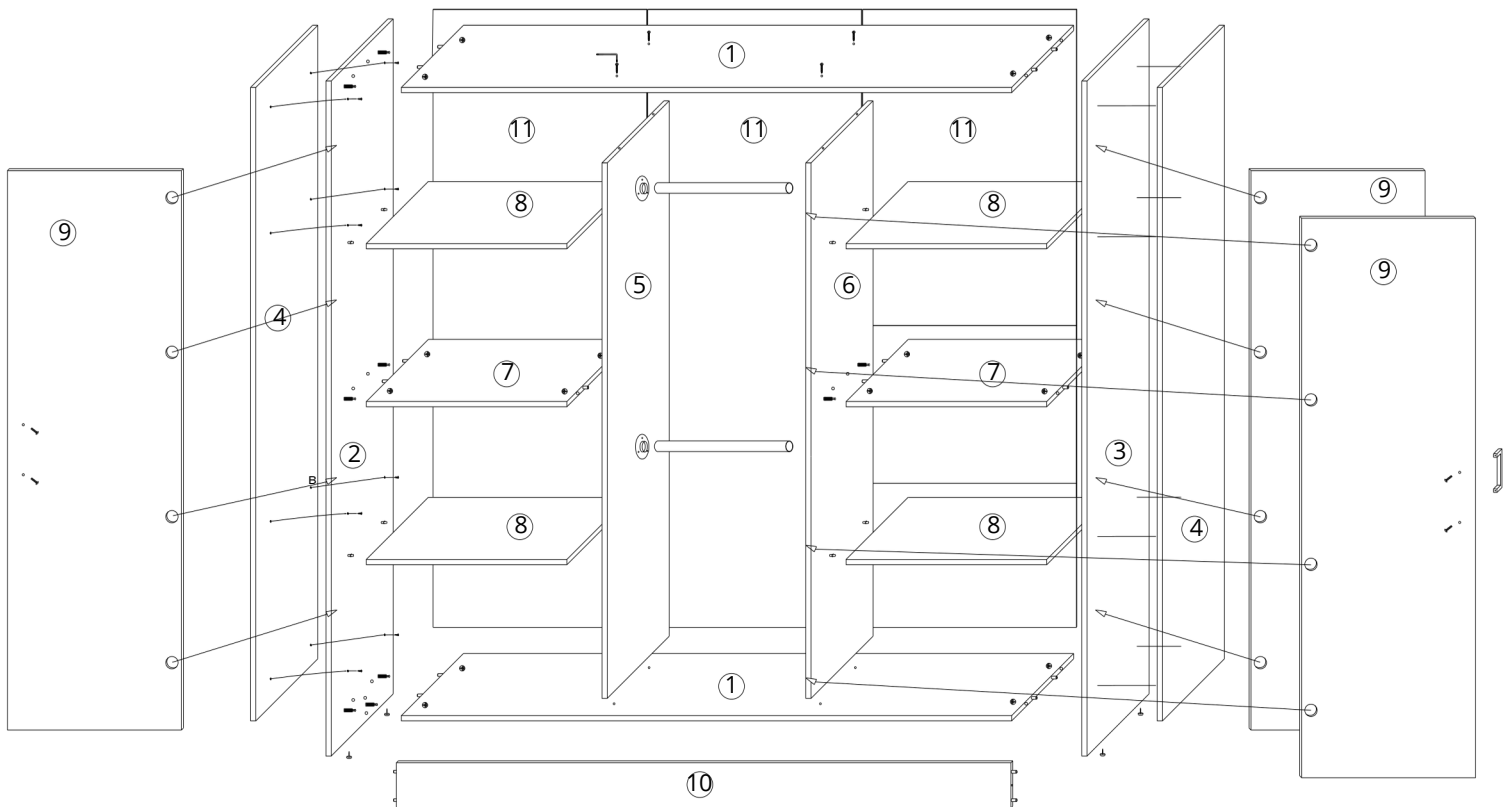
AMINO szafa 3D



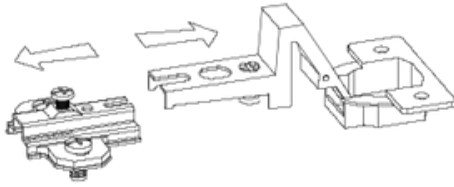


Packet	Nº	Lenght	Width	Qty
Nº1	7	572*	455	2
	8	572*	440	4
	Clothes lever		560	2
	Fittings			1
Nº2	1	1740**	500	1
	4	1803**	500**	2
Nº3	1	1740**	500	1
	2	1921**	518*	1
	3	1921**	518*	1
Nº4	5	1773*	480	1
	6	1773*	480	1
	9	571**	1800**	1
	10	1740	100	1
Nº5	9	571**	1800**	2
	11	1783	583	3

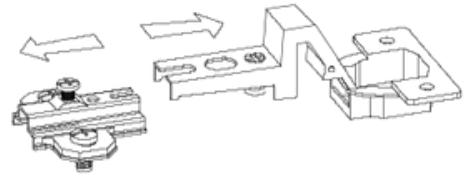
1.14  x21	1.16  x18	1.17  x18	1.21  x4	1.30 wood color  x16	
1.47 4x25mm  x16	2.69 5x12mm  x16	2.02  x36	2.61  x18	1.9  x7	2.68 black color  x2
1.20  x8	1.59  x3	1.2  x6	1.85 black color  x16	1.5 3,5x16mm  x120	
1.62  x2	1.32  x16	1.8  x8	1.7  x8	1.6  x1	1.15  x4
1.33 4x50mm  x2	1.58 60mm  x2	1.49 3,5x30mm  x2	1.36 8x40mm  x2		



1

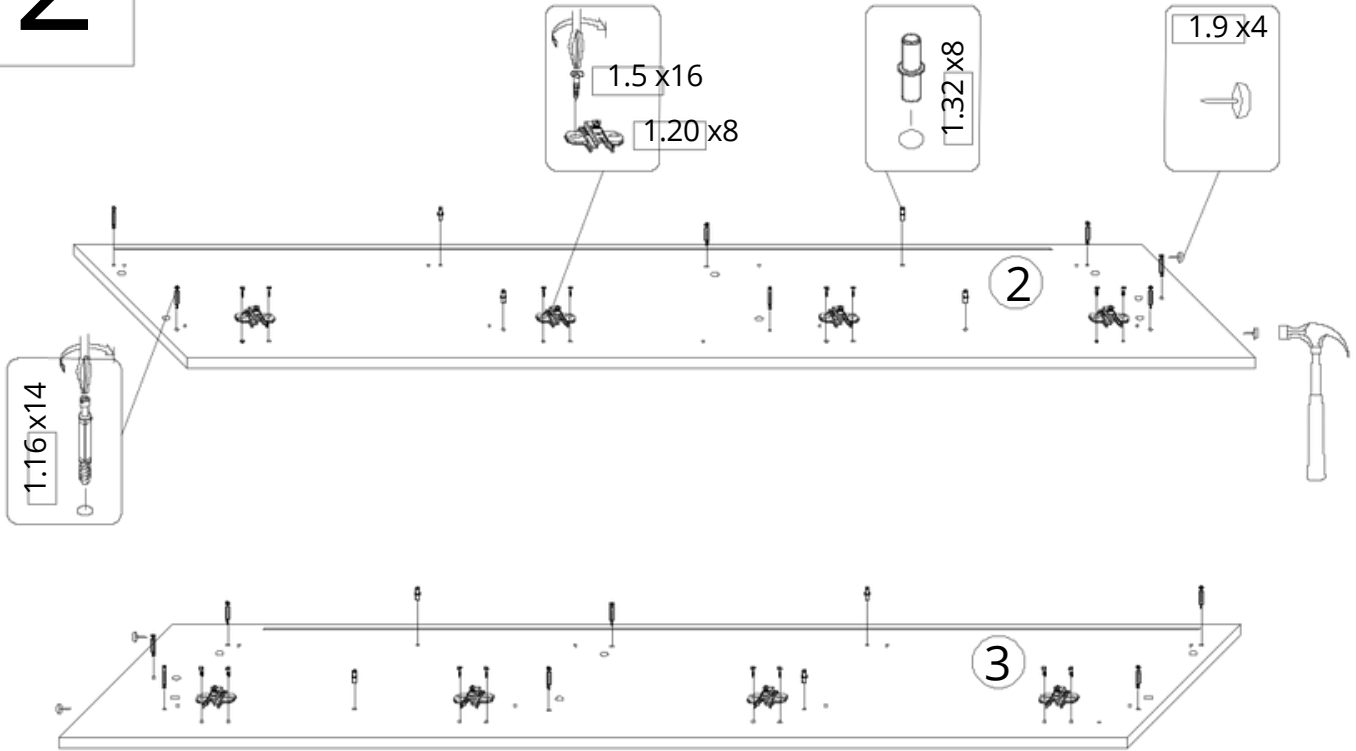


1.20x8

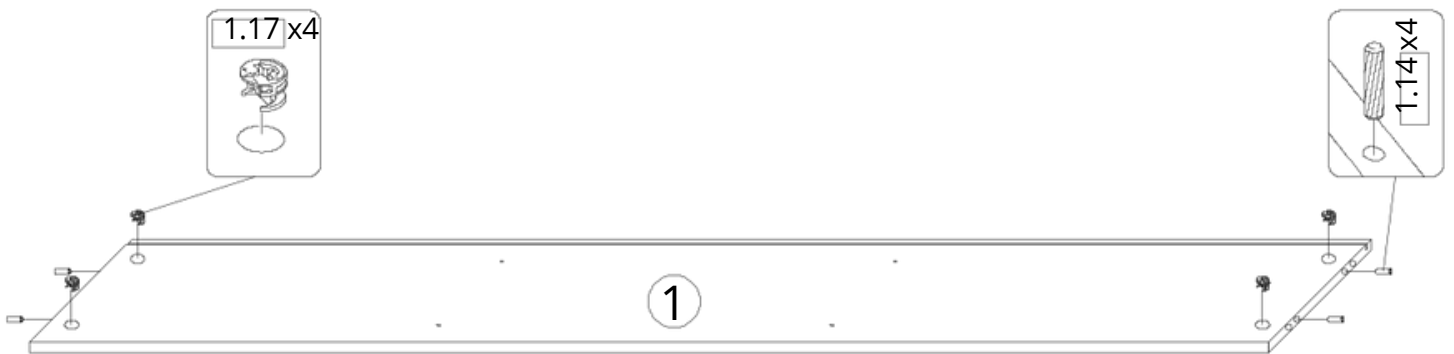


1.21x4

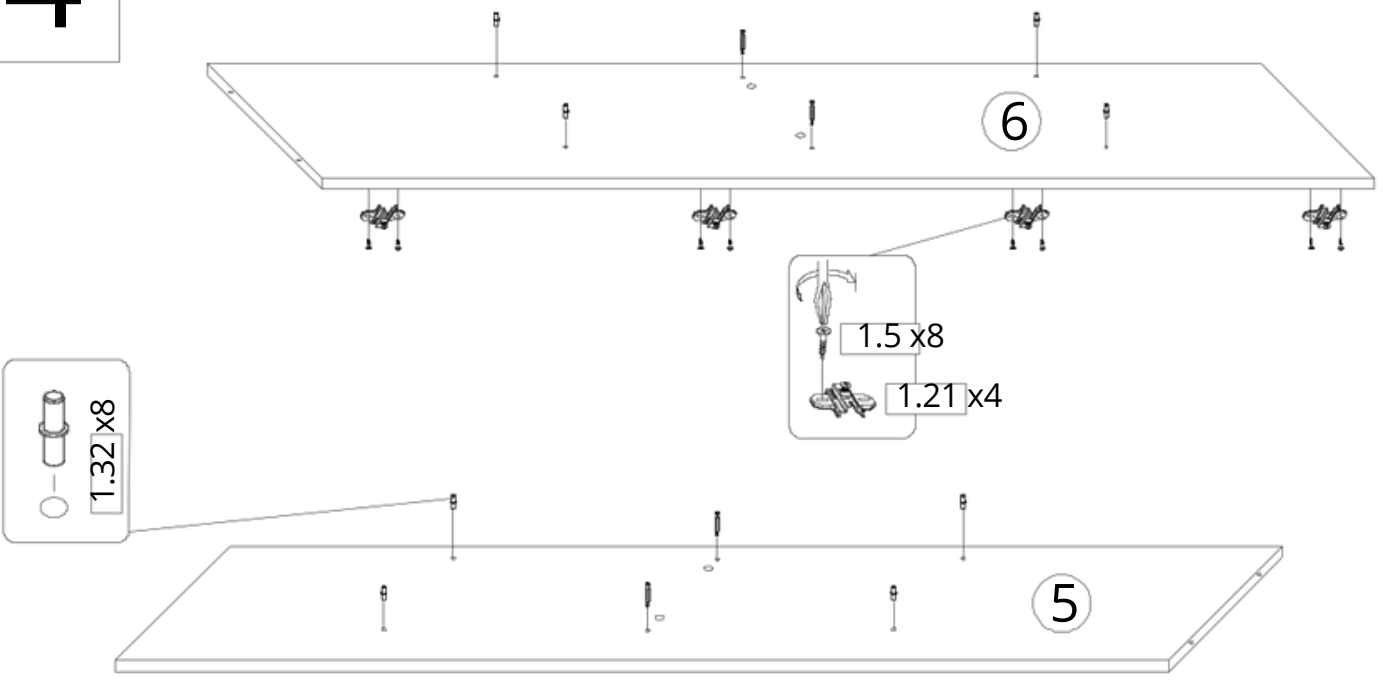
2



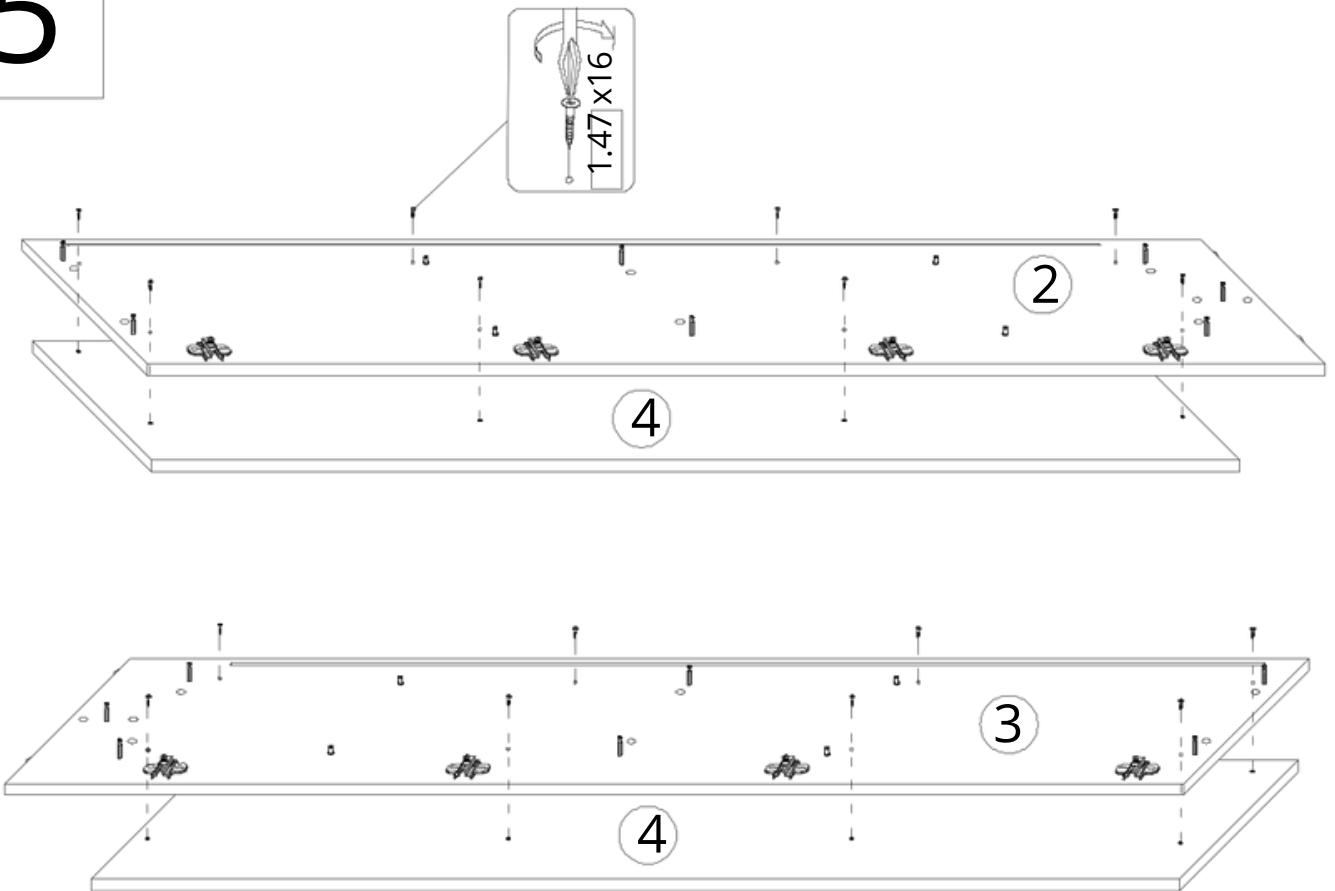
3x2



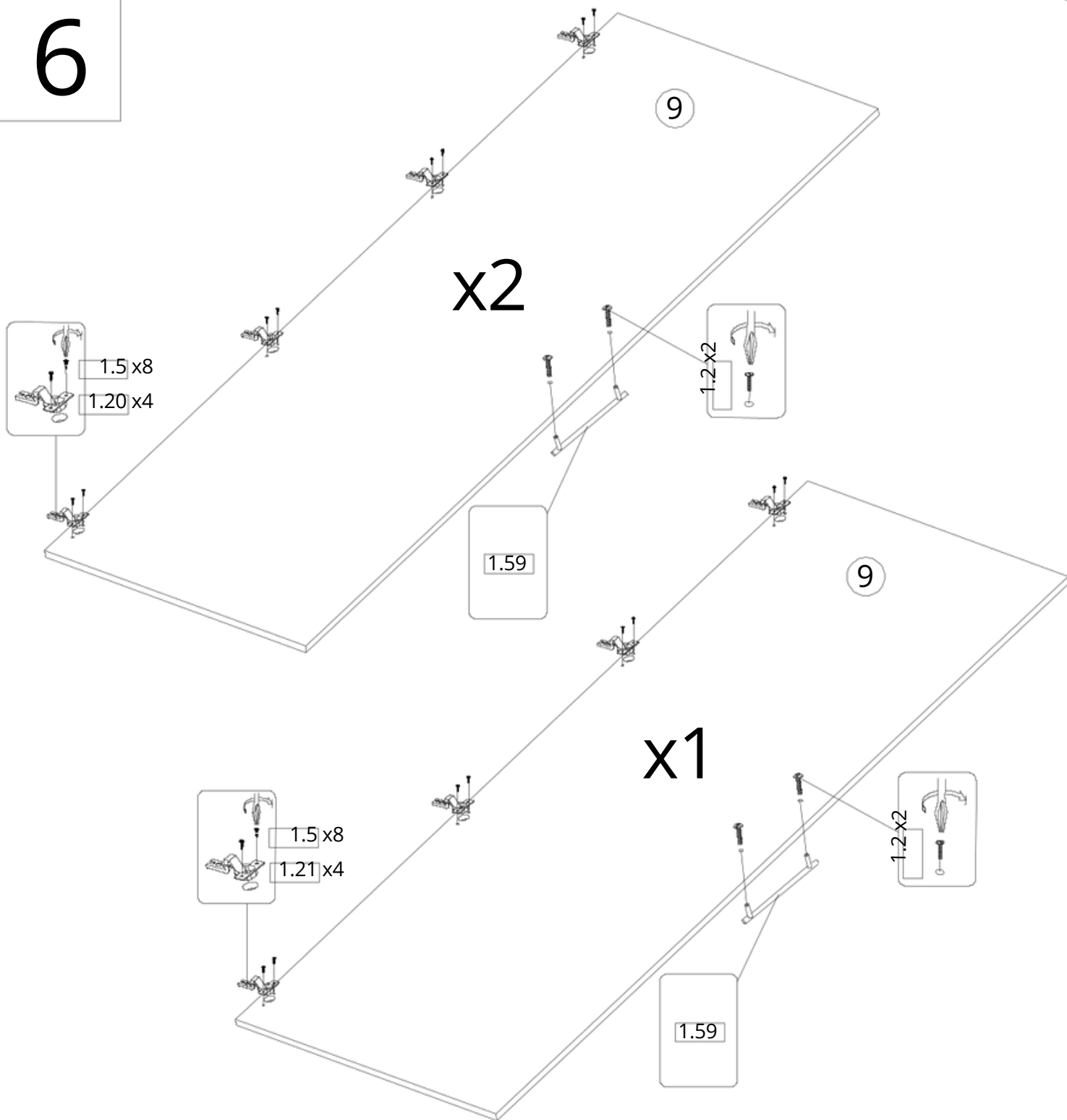
4



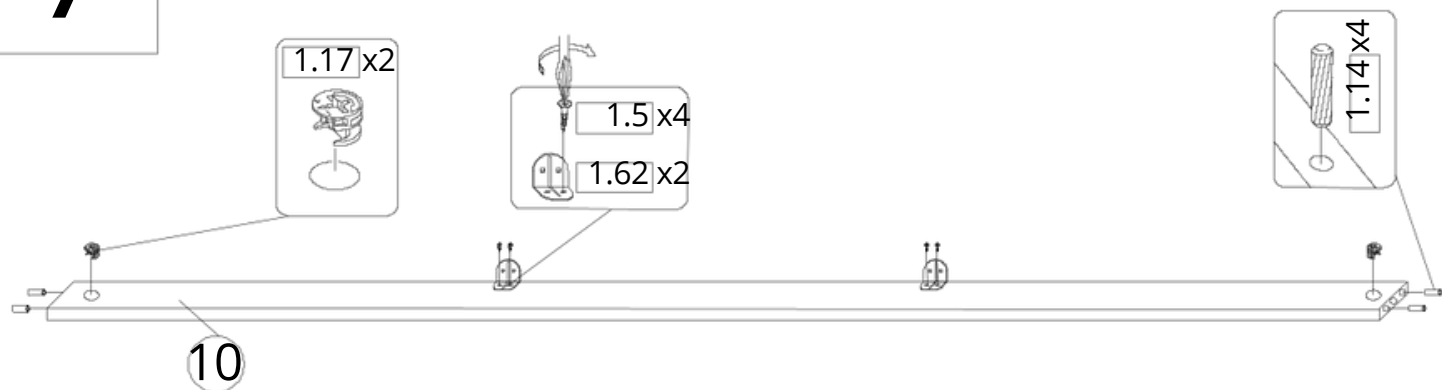
5

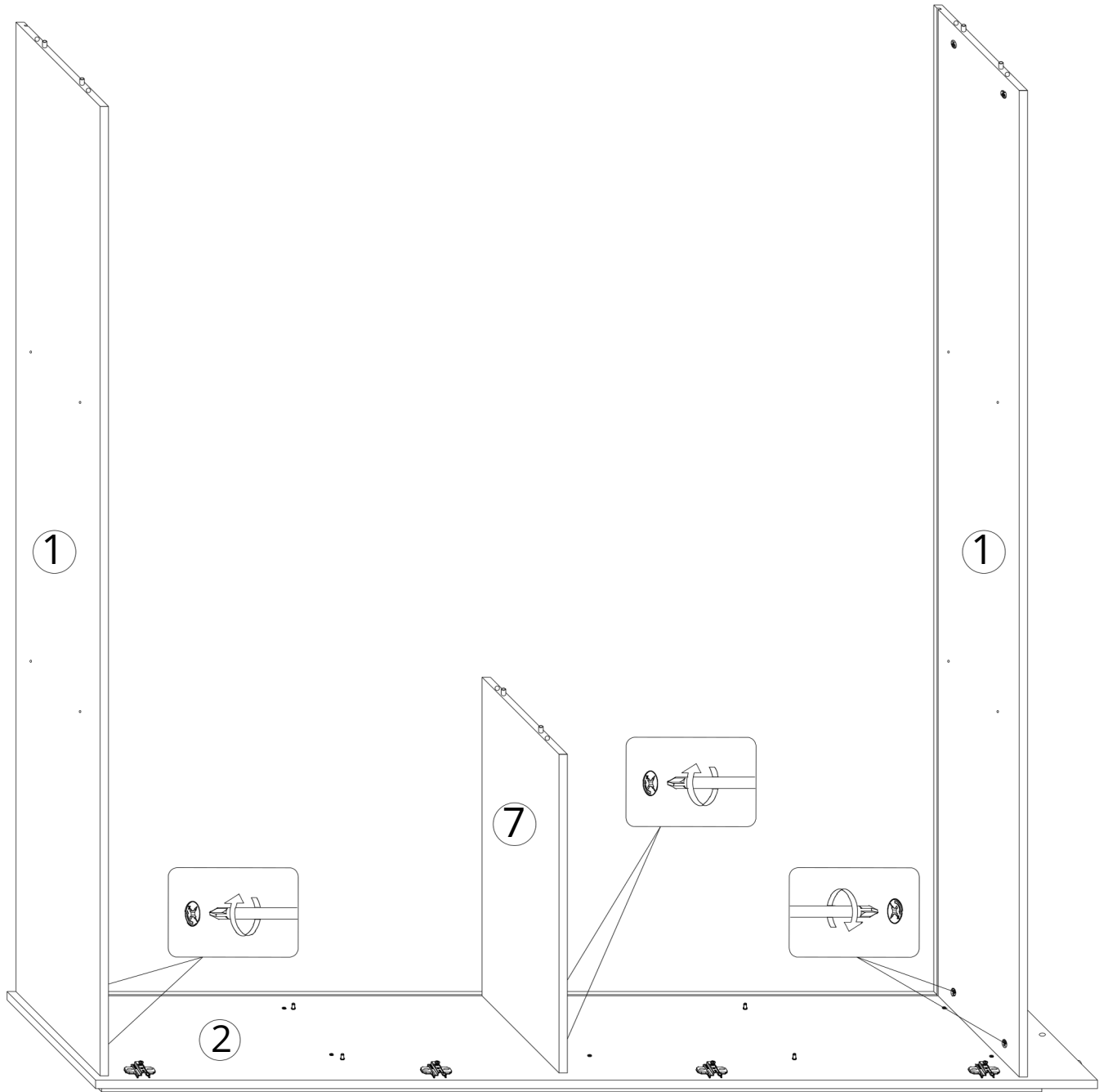


6

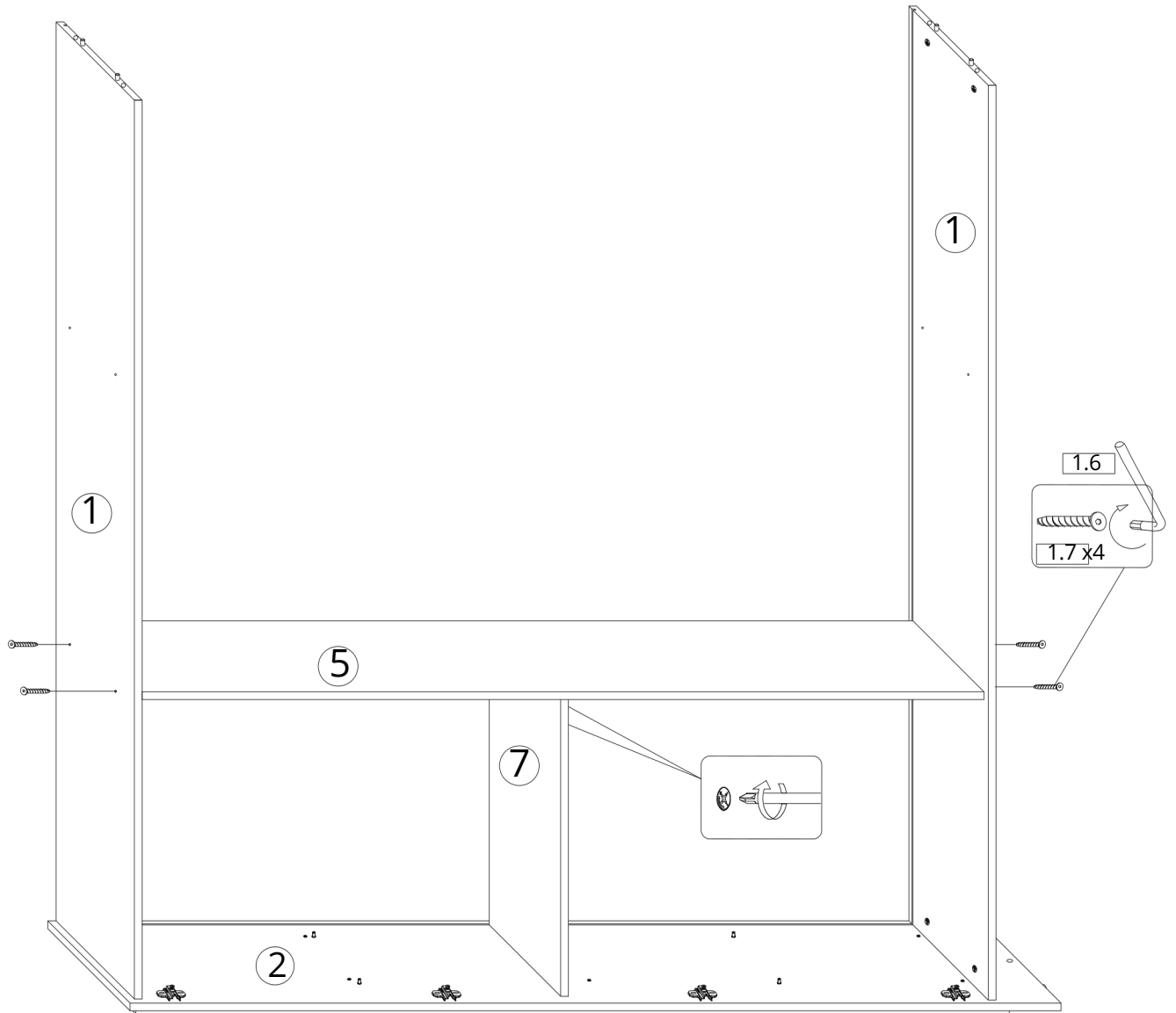


7

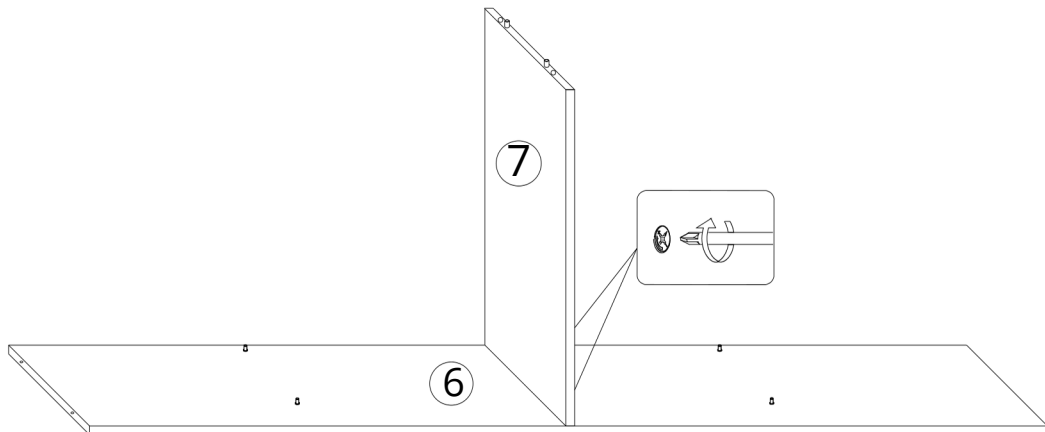


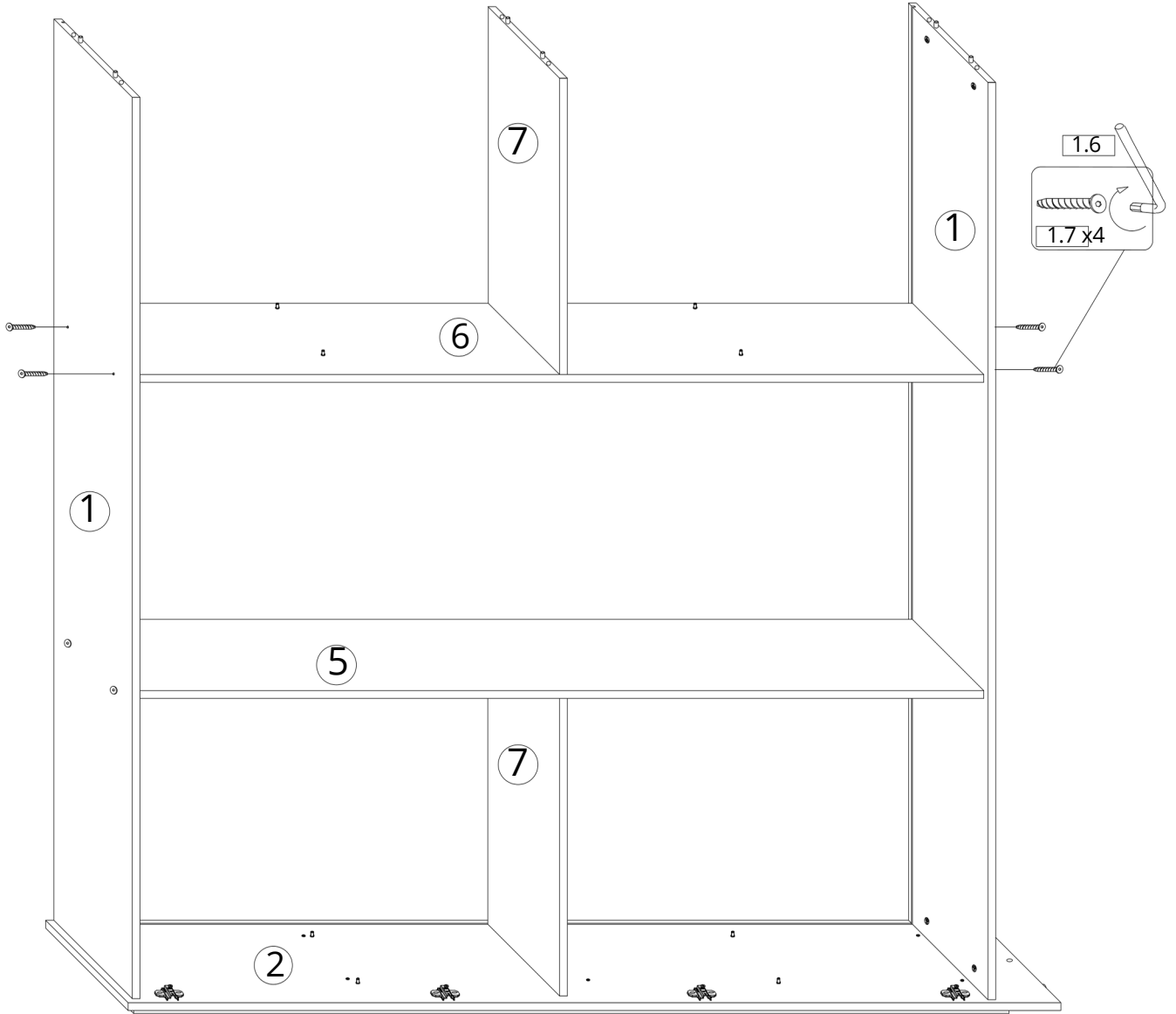


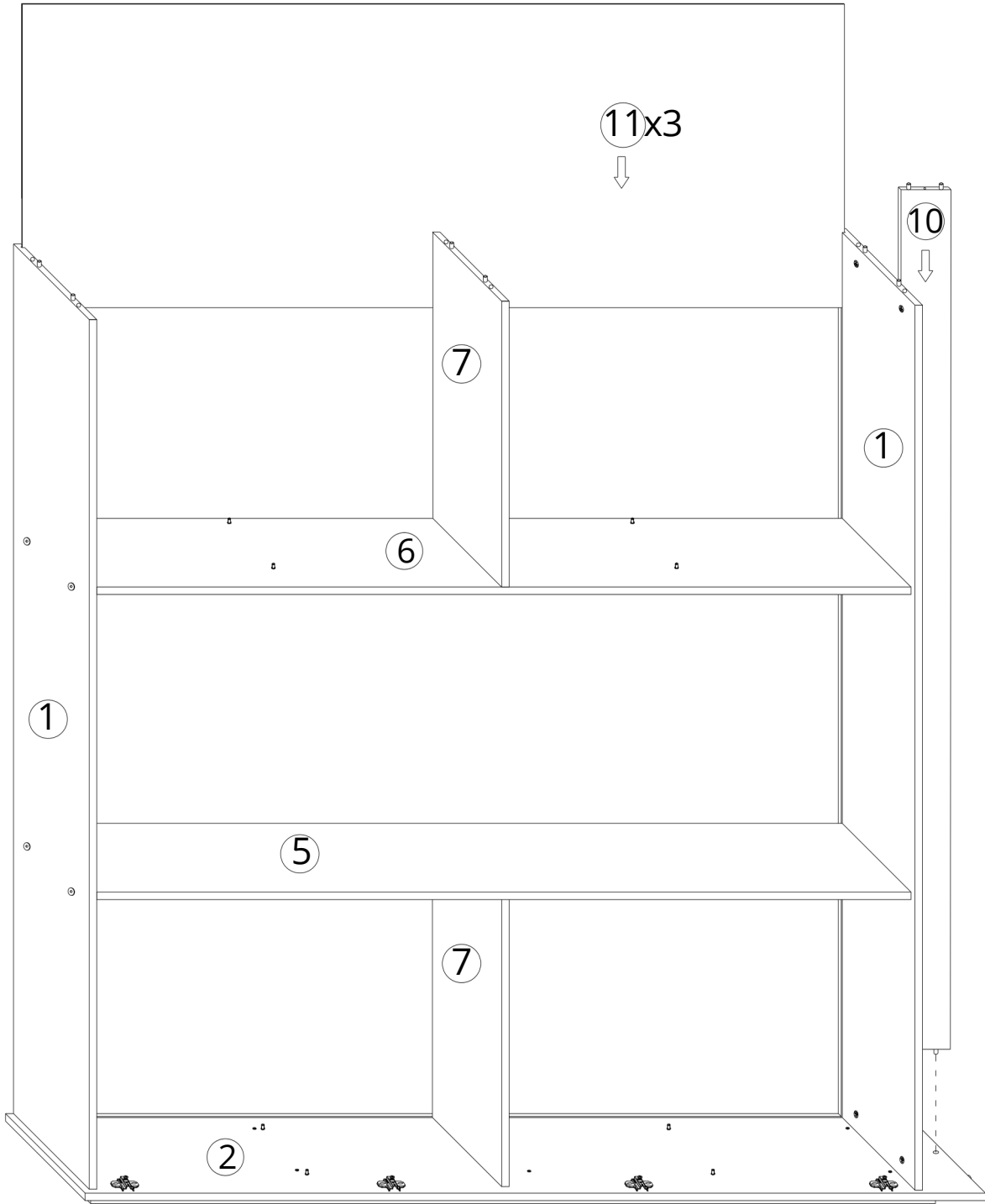
9

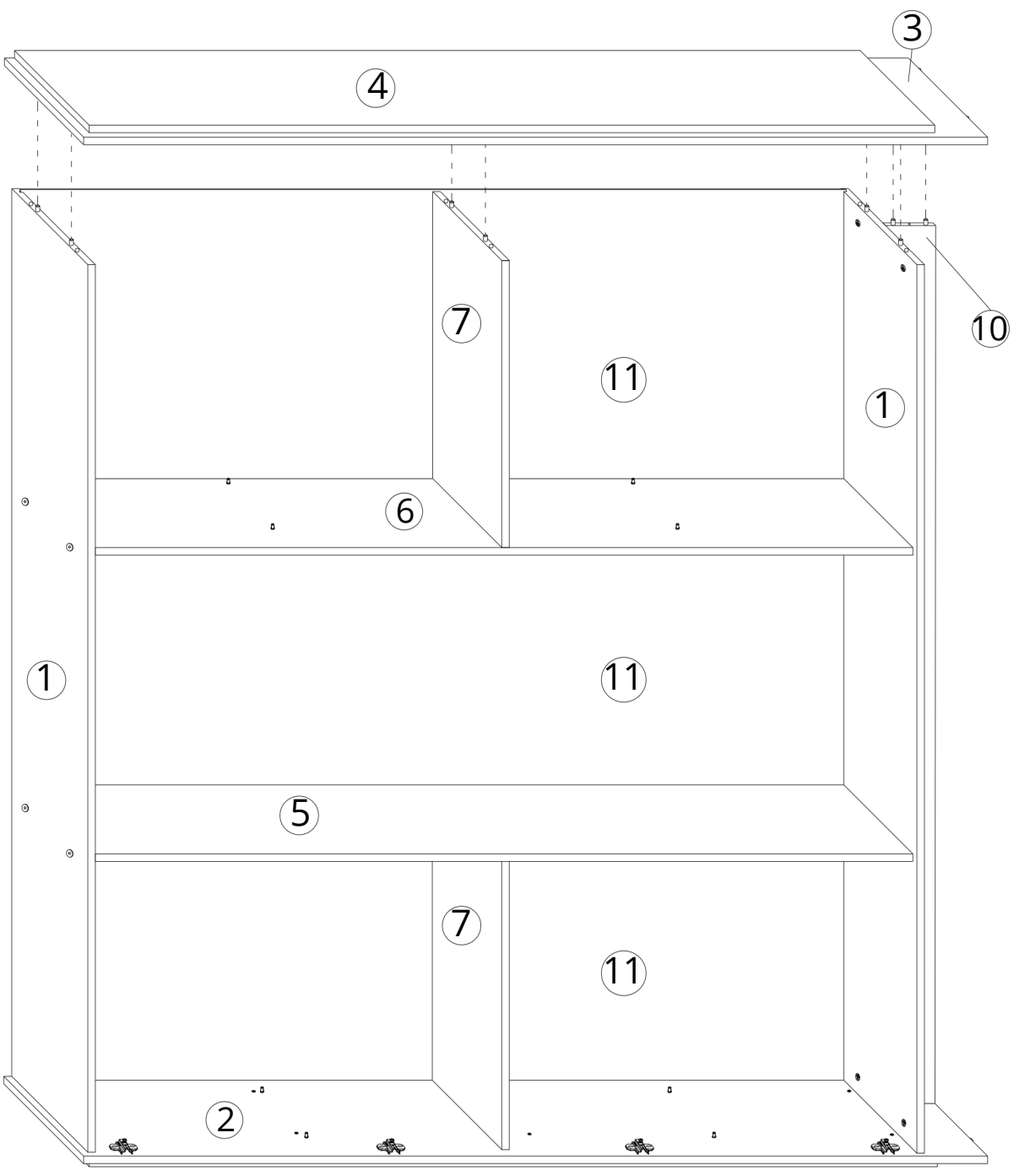


10

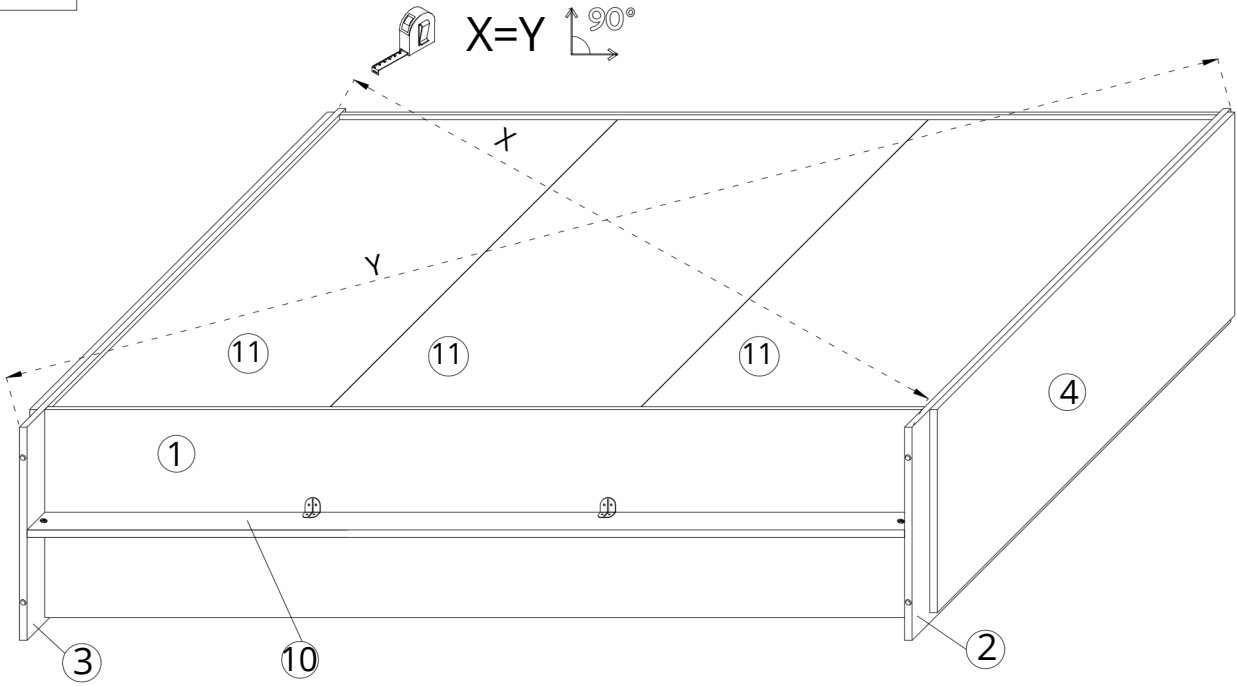




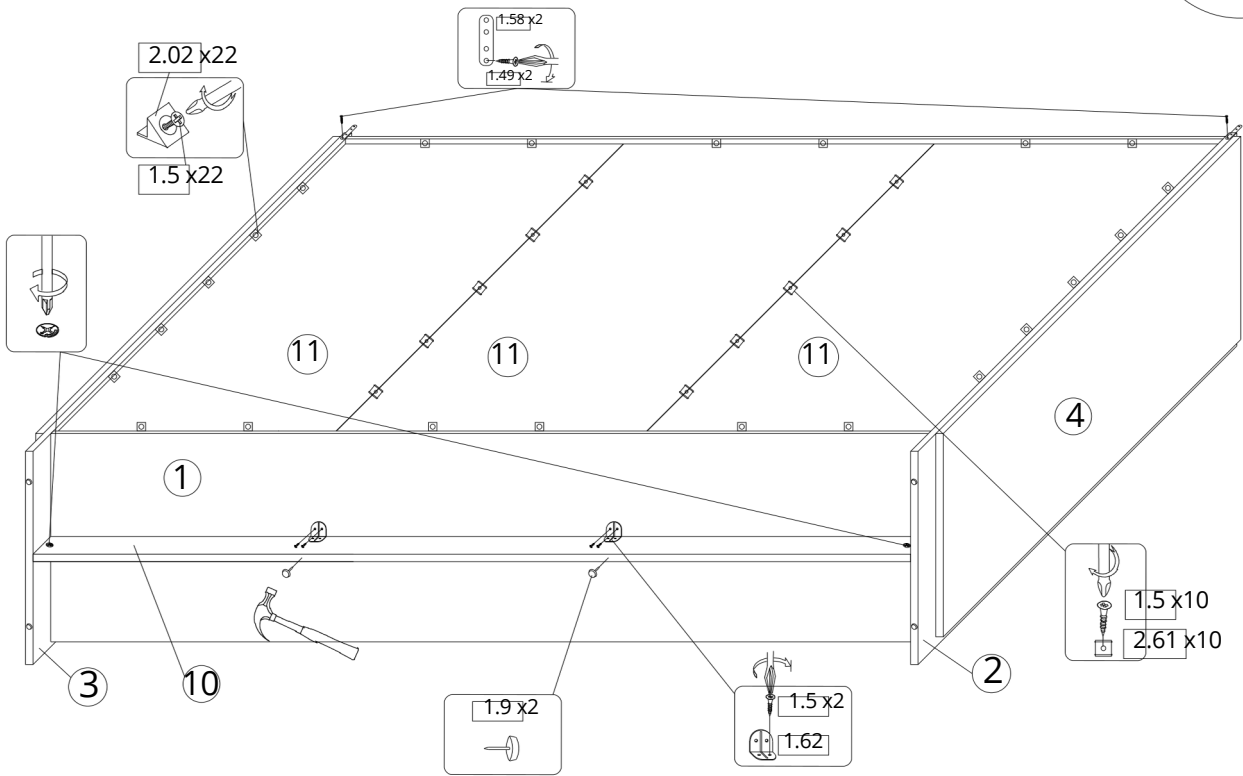
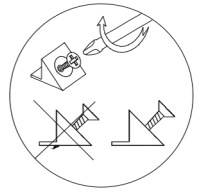


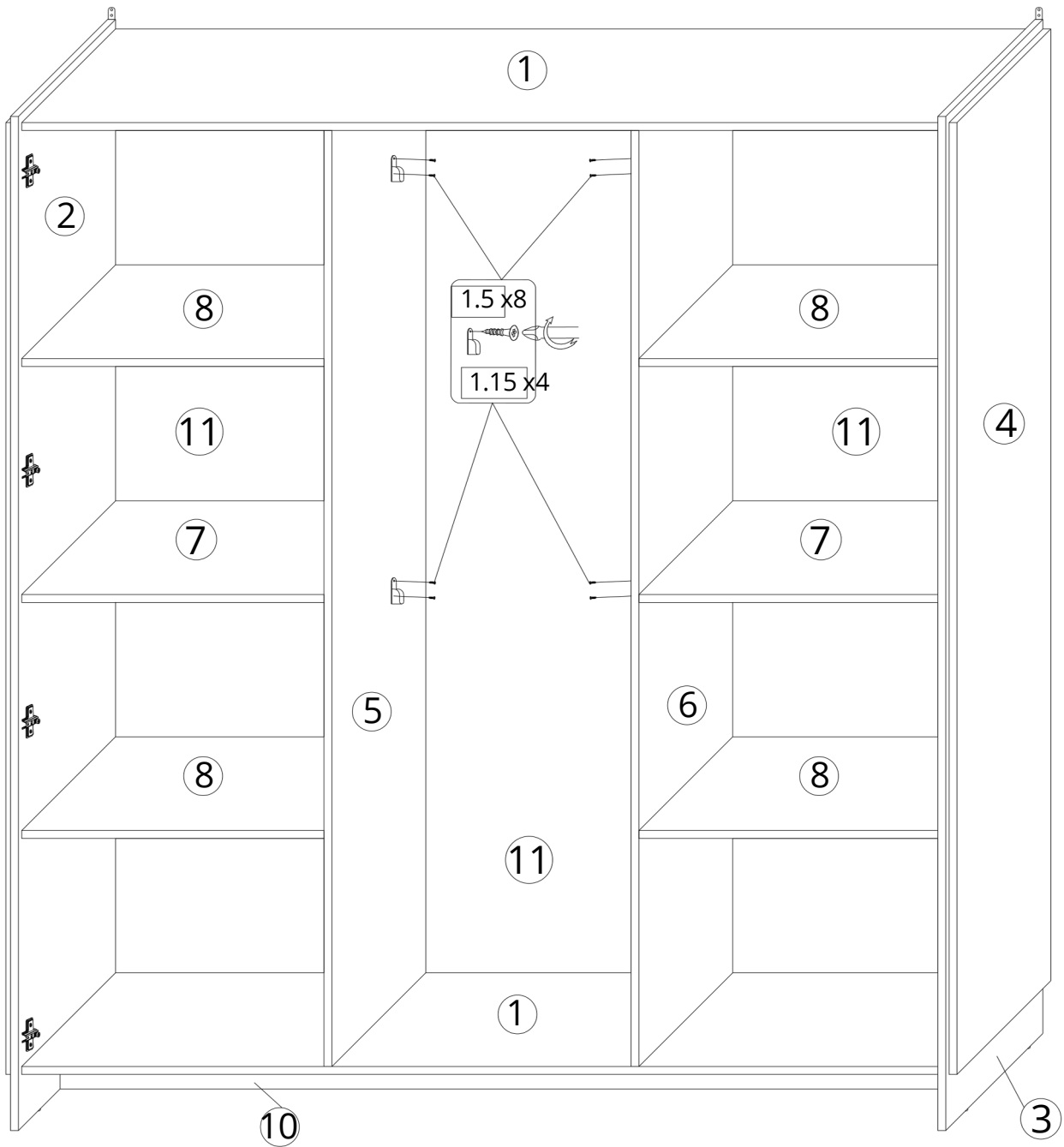


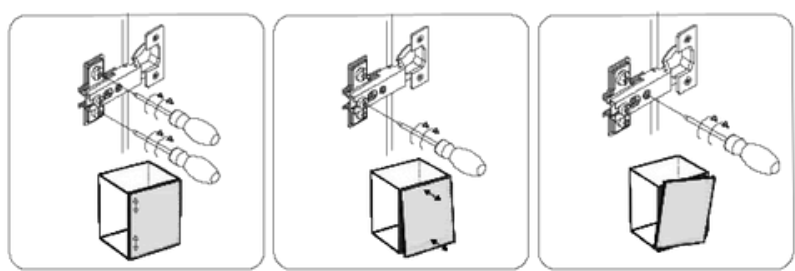
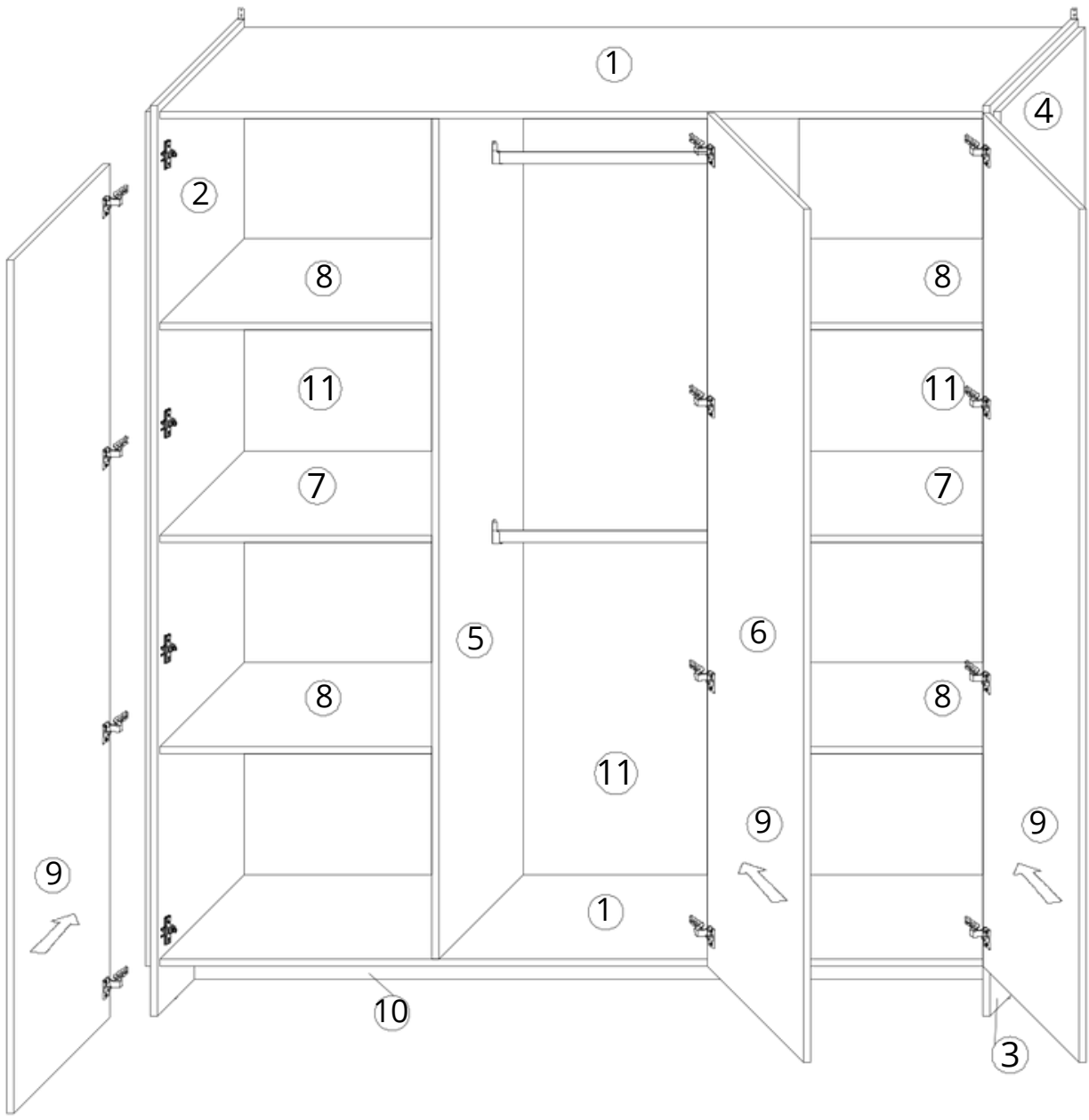
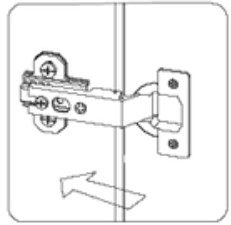
14

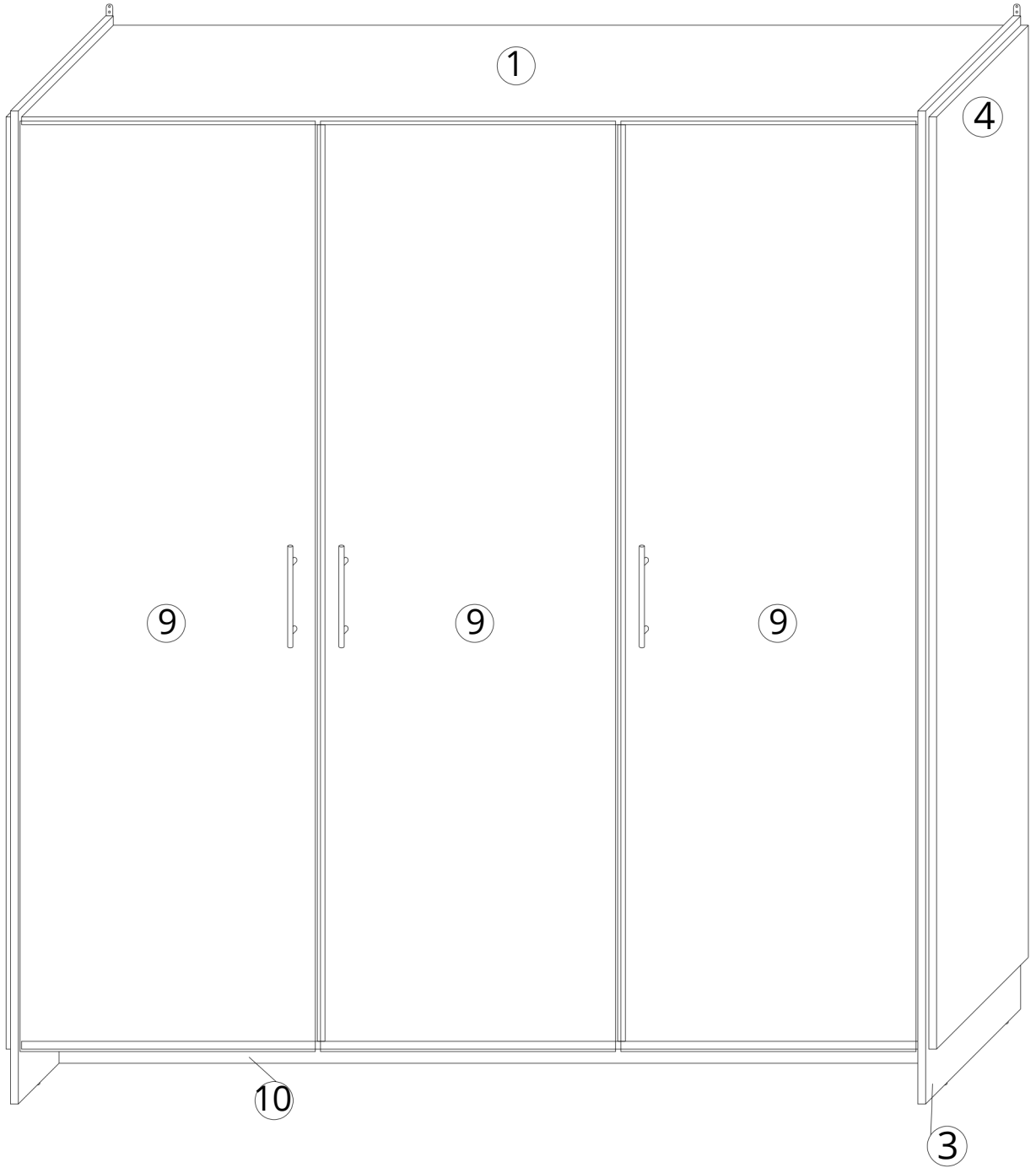


15









Always attach the furniture to the wall using stops! For wall mounting, use dowels appropriate to the material the wall is made of, if not If you are unsure, contact a specialist.
Ultimately, the installer is responsible for the fasteners

